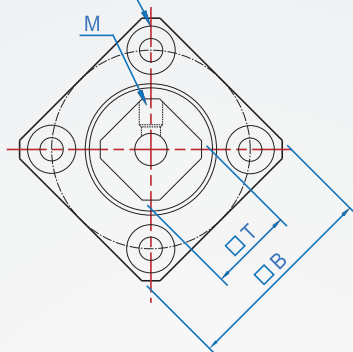


Fixed side

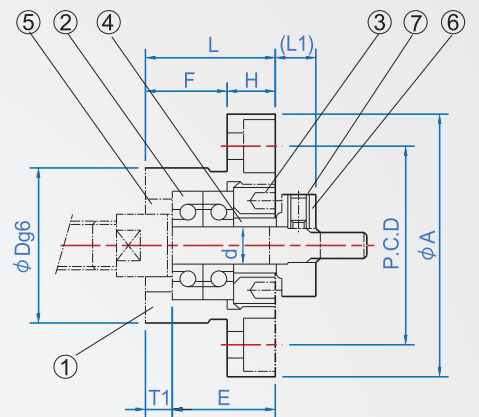
## FK



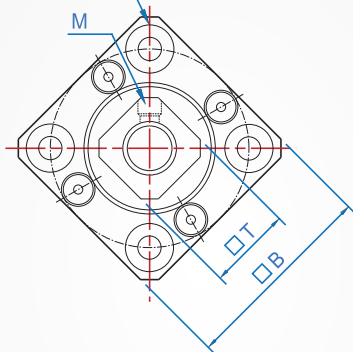
4- $\phi$ X Drill through hole  
 $\phi$ Y Saddle bore Deep Z  
 (90°)



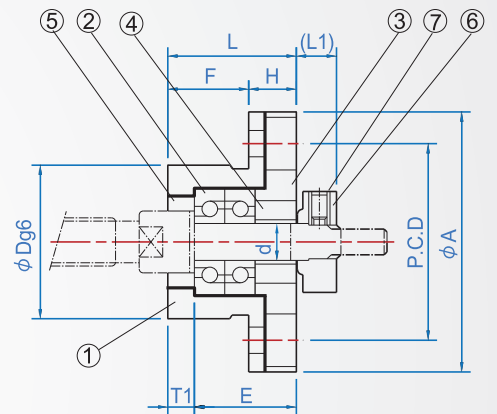
### FK6~FK8



4- $\phi$ X Drill through hole  
 $\phi$ Y Saddle bore Deep Z  
 (90°)



### FK10~FK25



Both sides can be installed

#### Constitute parts

Number	Parts name	Quantity
①	Bearing chock	1
②	Angular bearing	1 set
③	Gland	1
④	Distance ring	2
⑤	Gasket	2
⑥	Grip nut	1
⑦	Hex set screw with heel block	1 set

★Warning : ①②③ as a whole, do not decompose.

Material	Finish
S45C	Black oxide

#### How to order

EK - 5 -

TYPE No.

Choose a bearing

- Bevel P5 Made in Japan.....
- Bevel P0 Made in Japan.....
- Bevel P5 made in Taiwan.....
- Bevel P5 Made in China.....
- Deep groove ZZ made in Japan...
- Deep groove ZZ made in Taiwan...

No.	d	L	H	F	E	Dg6	A	P.C.D	□B	(L1)	T1	X	Y	Z	□T	m	M
5	5	16.5	6	10.5	18.5	20		34	26	26					11	M3	M5x0.5
6	6	20	7	13	22	22	-0.007 -0.020	36	28	28	5.5	3.5	3.4	6.5	12	M3	M6x0.75
8	8	23	9	14	26	28		43	35	35	7	4		4	14	M3	M8x1
10	10	27	10	17	29.5	34		52	42	42	7.5	5	4.5	8	16	M4	M10x1
12	12					36	-0.009 -0.025	54	44	44							19
15	15	32	15	30	36	40		63	50	52	10	6	5.5	9.5	6	22	M15x1
20	20	52	22		50	57	-0.010 -0.029	85	70	68	8	10	6.6	11	10	30	M20x1
25	25	57	27		60	63		98	80	79	13		9	15	13	35	M5

Corresponding screw & bearing please refer to 2-19 page.