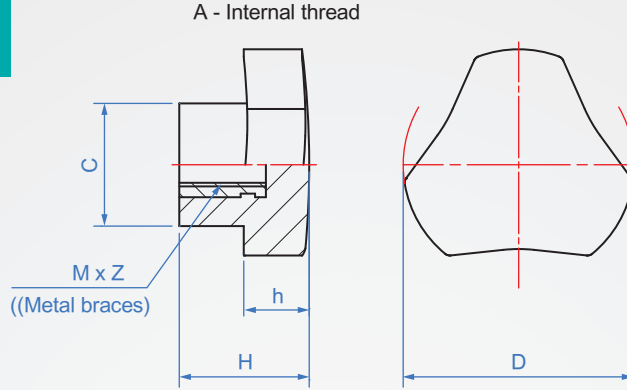


Three-prong bakelite knob  
internal thread

## VN976 - A



Grip

Screw

Black bakelite

Galvanized  
steel

Oil resistance and wear resistance.

How to order

① ②  
VN976 - A - M6  
| |  
TYPE SHAPE M

							unit : mm	
Shape	M	Pitch	Z Depth	C	D	H	weight (g)	
A (Internal thread)	M4	0.7	8	12	16	11	3	
	M5	0.8	12	15	25	14	6.3	
	M6	1	12	17	32	18	12.3	
	M8	1.25	16	22	40	21	23	