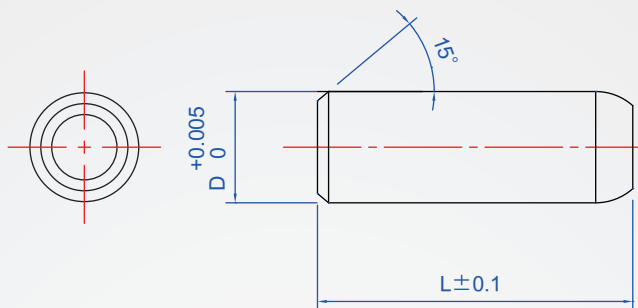


R head positioning pin

DD668

(+0.005)



Material	Heat treatment
S45C	HRC40~45

How to order

DD668 - 6 - 15
 | | |
 TYPE D L

1		2																unit : mm	
D	Tolerance	L																	
3	+0.005	15	20	25	30	35	40	45	50	-	-	-	-	-	-	-	-	-	
4		15	20	25	30	35	40	45	50	55	60	-	-	-	-	-	-	-	
5		15	20	25	30	35	40	45	50	55	60	65	70	-	-	-	-	-	
6		15	20	25	30	35	40	45	50	55	60	65	70	75	80	90	100	-	
8		-0	15	20	25	30	35	40	45	50	55	60	65	70	75	80	90	100	-
10			15	20	25	30	35	40	45	50	55	60	65	70	75	80	90	100	-
12			-	20	25	30	35	40	45	50	55	60	65	70	75	80	90	100	-
16			-	-	-	30	35	40	45	50	55	60	65	70	75	80	90	100	-

Che Na

FAX 886-2688-3177

info@chena.com.tw

886-22688-3188
886-2688-3881~3

No.21, Guangrong St. Shulin Dist.,
New Taipei City 238 Taiwan (R.O.C.)