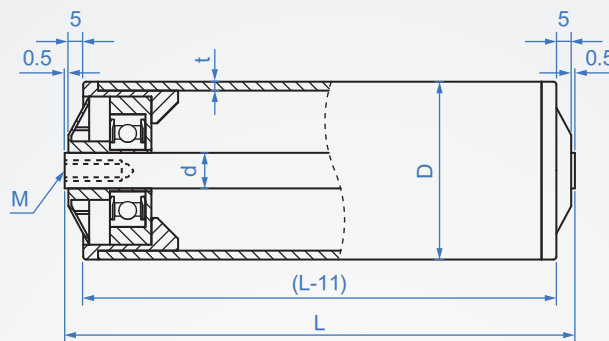
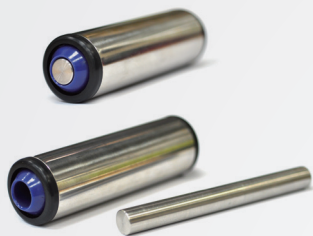


Freestyle roller

RA880

Double internal teeth



Code	Roller	Sprocket	Bushing	Bearing	Axis
ZN	Steel pipe (galvanized)	ABS	Nylon 6	SUJ2	Steel
CS	Steel pipe (outer white iron)				
SUS	White iron tube			SUS	SUS

The material of the (sprocket) (bearing) in the above table can be changed according to customer needs, please contact the GheNa business.

How to order

RA880	-	42	-	10	-	300	-	<input type="checkbox"/>
TYPE	No.	d	L					
Choose roller material								
Steel pipe (galvanized).....								<input type="checkbox"/> ZN
Steel pipe (outer white iron).....								<input type="checkbox"/> CS
White iron tube.....								<input type="checkbox"/> SUS

1		2			3		unit:mm
No.	D	t	d	L	M		
25	25.4		8				
32	31.8	1.5	12、14				
38	38.1		10、12、14				
42	42.7	2	10、12、14	100~1200			
50	50.8		12、14				
*57	57.2	1.5	12、14				
60	60.3	2	12、14				

*The white iron pipe does not have a size of 57.

Che Na

886-2688-3177

info@chena.com.tw

 886-22688-3188
886-2688-3881~3

 No.21, Guangrong St. Shulin Dist.,
New Taipei City 238 Taiwan (R.O.C.)