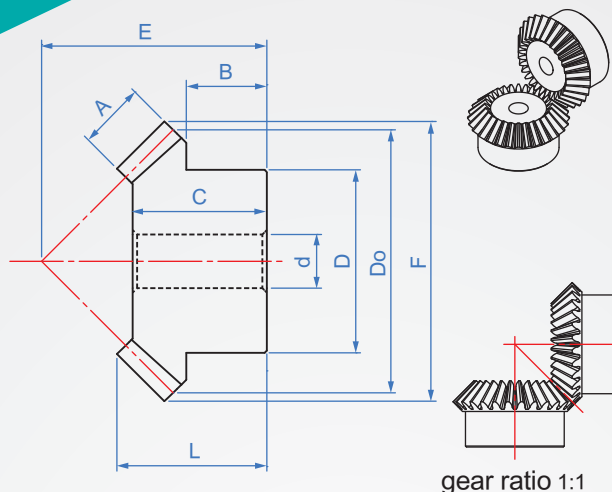


pressure angle 20°

## BG320

Tooth ratio 1:1



Material	Finish
S45C	-
	Dye black
	Electroless nickel

### How to order

BG320 - M1 - 20 - N8 - TB  
 M Number of teeth Hole diameter

Select surface treatment

S45C	T
S45C+Dye black	TB
S45C+Electroless nickel	TN

D path change can be specified  
 Example: original D path 33, change 30

unit : mm

M	Number of teeth	Hole shape	Minimum aperture d	gear ratio	Tooth width A	Wheel length B	Hole length C	Wheel hub D	Circle Do	Distance E	Outer diameter F	Total length L
M1	18	H Round hole 	6~	1818	4.5	8	11	16	18	18.37	19.41	13
	20				5	9	12	18	20	20.00	21.41	14
	24				5.5	10	13	22	24	22.63	25.41	15
	25				6	10	14	23	25	23.79	26.41	16
	30				6.5	10	15	28	30	26.91	31.41	17
M1.5	15	H Round hole 	8~	1515	6.5	8	13	19	22.5	21.05	24.62	15
	18				8	9	17.5	23	27	25.23	29.12	18
	20				8	11	19.5	30	36	32.28	38.12	20
	24				10	12	20	32	37.5	34.02	39.62	23
	25				10	12	24	39	45	40.35	47.12	27
M2	15	Round hole + tapping 	8~	1515	9	10	17	25	30	27.82	32.83	20
	16				11	18	27	32	31.09	34.83	19	
	18				10	12	19	31	36	32.07	38.83	22
	20				11	14	22	34	40	36.36	42.83	25
	24				13	15	25	39	48	42.44	50.83	28.5
M2.5	12	Round hole + tapping 	10~	1212	10	15	23	24	30	33.00	33.54	26
	15				15	25	30	37.5	37.30	41.04	28	
	16				12	15.5	25.25	32	40	38.50	43.54	27.55
	18				12	15	26	36	45	41.91	48.04	29
	20				13	16	26	41	50	44.69	53.54	30
M3	12	Keyway + Tapping 	12~	1515	12	14	24	30	36	36.39	40.24	28
	15				13	15	26	36	45	42.05	49.24	30
	18				15	15	28	45	54	47.11	58.24	32
	20				15	17	20	33	60	55.05	64.24	37
	24				17	24	38	60	72	65.57	76.24	43
M4	15	Keyway + Tapping 	15~	1515	18	15	31	50	60	52.64	65.66	36
	18				19	18	34	60	72	60.79	77.66	40
	20				20	23	39	68	80	69.03	85.66	45
	24				21	22	41	78	96	79.20	101.66	48
	25				22	23	43	80	100	82.50	105.66	50
M5	15	Keyway + Tapping 	19~	1515	22	26	48	100	120	95.33	125.66	55
	18				25	26	48	100	120	95.33	125.66	55
	20				25	26	48	100	120	95.33	125.66	55
	24				25	26	48	100	120	95.33	125.66	55
	25				26	26	47	108	125	96.62	132.07	55
M5	15	Keyway + Tapping 	25~	1515	22	18	39	58	75	64.87	82.07	45
	18				18	40	72	90	72.83	97.07	47	
	20				25	23	44	82	100	82.04	107.07	52
	24				25	25	46	102	120	93.83	127.07	54
	25				26	26	47	108	125	96.62	132.07	55
M5	15	Keyway + Tapping 	30	1515	28	29	52	132	150	112.60	157.07	60
	18				29	52	132	150	112.60	157.07	60	
	20				29	52	132	150	112.60	157.07	60	
	24				29	52	132	150	112.60	157.07	60	
	25				29	52	132	150	112.60	157.07	60	

\*Please note: It is not allowed to purchase in one piece. Because the combination angle with other companies may cause the teeth to be unable to bite, it must be ordered in sets.