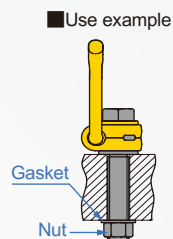
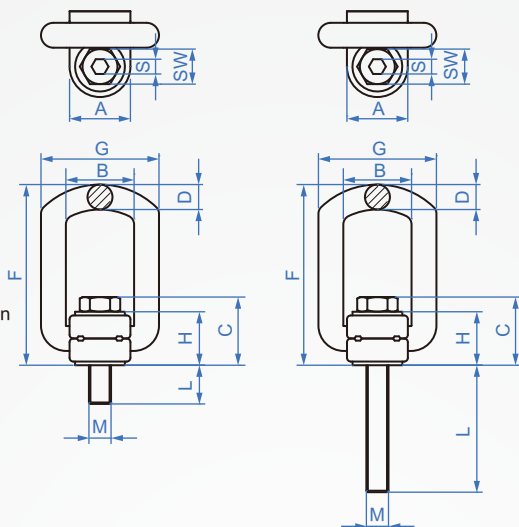


Ring KB769

Lateral rotation



How to order

KB769 - M8 - 76
TYPE M L

Ultimate load Tons	M	Pitch	L		SW	S	A	H	F	D	B	G	C	Locking torque Nm	weight kg	
			Short thread	Long thread											Short thread	Long thread
0.3	M8	1.25	11	76	13	6	30	29	85	10	35	55	35	30	0.2	0.3
0.63	M10	1.5	16	96	17										33	36
1	M12	1.75	18	114	19	8	50	44	140	17	54	82	44	100	0.5	0.6
1.5	M16	2	24	149	24	10	50	44	140	17	54	82	46	150	0.5	0.7
2.5	M20	2.5	30	186	30	12	50	44	140	17	54	82	57	250	1.3	1.7
4	M24	3	36	221	36	14	60	62	170	23	65	99	59	400	1.4	2.1
5	M30	3.5	48	278	46	17	60	62	170	23	65	99	81	500	3.1	4.3
8	M36-H	4	62	222	55	22	77	78	225	27	85	124	101	800	5.8	7.3

Ring load table

Hanging icon										
Count	1	2	1	2	2	2	2	3-4	3-4	3-4
Load angle	0°	0°	90°	90°	0° ~ 45°	45° ~ 60°	Asymmetrical on both sides	0° ~ 45°	45° ~ 60°	Asymmetrical on both sides
Thread	Load limit Tons									
M8	0.3	0.6	0.3	0.6	0.42	0.3	0.3	0.63	0.45	0.3
M10	0.63	1.26	0.63	1.26	0.88	0.63	0.63	1.32	0.95	0.63
M12	1	2	1	2	1.4	1	1	2.1	1.5	1
M16	1.5	3	1.5	3	2.1	1.5	1.5	3.1	2.2	1.5
M20	2.5	5	2.5	5	3.5	2.5	2.5	5.2	3.7	2.5
M24	4	8	4	8	5.6	4	4	8.4	6	4
M30	5	10	5	10	7	5	5	10.5	7.5	5
M36	8	16	8	16	11.2	8	8	16.8	12	8

Note:

- All side-turning rings meet or exceed ASME B30.26 (American Society of Mechanical Engineers) specifications.
- All rings are manufactured in accordance with the relevant European standard EN1677-1
- The wrought alloy steel used on the rotating sling is quenched and tempered.
- Batch numbers are printed on all forged parts and cap screws to facilitate inspection and verification on the quality certification instructions.
- The rotating slings can be rotated 360° all the way and have a 180° pivot pivoting function.
- The bolts are uniform metric threads (ASME/SNSI B18.3.1 M) and are grade 12.9 hexagonal alloy angle head bolts to DIN EN ISO 4762.
- The load is verified to be 2.5 times the load limit and has been certified.
- The force of 1.5 times the load limit was tested for 20,000 fatigue limits.
- The product is inspected by 100% magnetic particle inspection.

Remarks:

- When the design safety factor is 4:1, the verification load should be 2.5 times the load limit.
- Long bolts are designed for use with soft metal work pieces and through-hole workpiece designs.
- For metal, the thread depth should be at least 1 times the thread, the steel and cast iron workpieces should be at least 1.5 times the thread depth, the aluminum alloy workpiece thread depth should be 2 times the thread, and the aluminum-magnesium alloy thread depth should be 2.5 times the thread.