

Toothed idler

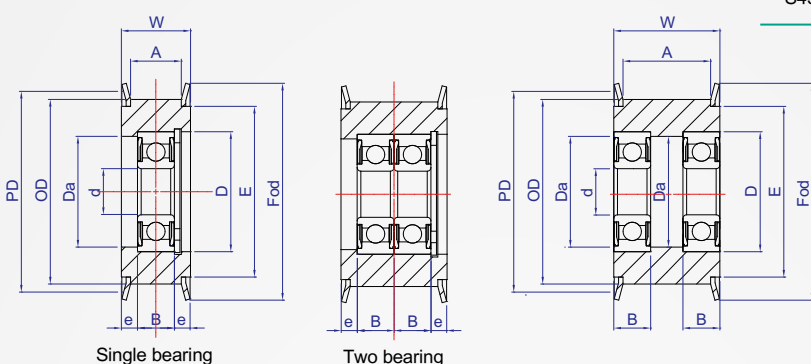
DU300 S8M

Belt Width(mm)	15	20	25	30	40
Common size	A=17 W=22	A=22 W=27	A=28 W=33	A=33 W=38	A=44 W=49

Main Part	Flang	Finish	Code
aluminum alloy	aluminum	Clear anodizing	AS
		Black anodized	AB
		Electroless nickel	AK
		Hard anodized	AN
S45C	Iron	Byed black	TB
		Electroless Nickel	TN

Y Single bearing Retaining ring

Z Two bearing Retaining ring



How to order

DU - 20 - S8M - 15 - [] - []

1 TYPE Number of teeth
2 Tooth width
3 Kind

Choose a finish

- Aluminum + White Anodized..... AS
- Aluminum + Black Anodized..... AB
- Aluminum + hardened anode..... AK
- Aluminum + Electroless Nickel..... AN
- S45C+ dyed black..... TB
- S45C+ Electroless Nickel..... TN

Copyright © CHENA INDUSTRIAL CO.,LTD ALL RIGHTS RESERVED.

Number of teeth	Tooth width	Kind	d	P.D	O.D	E	Fod	Y Single bearing					Z Two Bearing			Unit: mm	
								No.	B	D	Da Max	e	C ring	No.	B		D
18	S8M-15 A=17 W=22	Y (Centered)	12	45.84	44.46	35	50	6201ZZ	10	32	27	6	R32	6001ZZ	8	28	26
20				50.93	49.56	40	55										
22				56.02	54.65	44	62										
24				61.12	59.74	50	70										
25				63.66	62.29	50	70										
26				66.21	64.84	55	75										
28		Z (Sides)	20	71.3	69.93	60	80	6202ZZ	11	35	30	5.5	R35	6002ZZ	9	32	30
30				76.39	75.02	65	85										
32				81.49	80.12	70	90										
34				86.58	85.21	75	95										
35				89.13	87.75	75	95										
36				91.67	90.3	80	99										
38				96.77	95.39	85	105										
40				101.86	100.49	90	110										
42				106.95	105.58	95	115										
44	112.05	110.67	98	118													
45	114.59	113.22	98	118													
18	S8M-20 A=22 W=27	Y (Centered)	12	45.84	44.46	35	50	6201ZZ	10	32	27	8.5	R32	6201ZZ	10	32	27
20				50.93	49.56	40	55										
22				56.02	54.65	44	62										
24				61.12	59.74	50	70										
25				63.66	62.29	50	70										
26				66.21	64.84	55	75										
28		Z (Sides)	20	71.3	69.93	60	80	6202ZZ	11	35	30	8	R35	6202ZZ	11	35	30
30				76.39	75.02	65	85										
32				81.49	80.12	70	90										
34				86.58	85.21	75	95										
35				89.13	87.75	75	95										
36				91.67	90.3	80	99										
38				96.77	95.39	85	105										
40				101.86	100.49	90	110										
42				106.95	105.58	95	115										
44	112.05	110.67	98	118													
45	114.59	113.22	98	118													
18	S8M-25 A=28 W=33	Y (Centered)	12	45.84	44.46	35	50	6201ZZ	10	32	27	6.5	R32	6201ZZ	10	32	30
20				50.93	49.56	40	55										
22				56.02	54.65	44	62										
24				61.12	59.74	50	70										
25				63.66	62.29	50	70										
26				66.21	64.84	55	75										
28		Z (Sides)	20	71.3	69.93	60	80	6202ZZ	11	35	30	5.5	R35	6002ZZ	9	32	30
30				76.39	75.02	65	85										
32				81.49	80.12	70	90										
34				86.58	85.21	75	95										
35				89.13	87.75	75	95										
36				91.67	90.3	80	99										
38				96.77	95.39	85	105										
40				101.86	100.49	90	110										
42				106.95	105.58	95	115										
44	112.05	110.67	98	118													
45	114.59	113.22	98	118													
18	S8M-30 A=33 W=38	Y (Centered)	12	45.84	44.46	35	50	6201ZZ	10	32	27	6.5	R32	6201ZZ	10	32	27
20				50.93	49.56	40	55										
22				56.02	54.65	44	62										
24				61.12	59.74	50	70										
25				63.66	62.29	50	70										
26				66.21	64.84	55	75										
28		Z (Sides)	20	71.3	69.93	60	80	6202ZZ	11	35	30	5.5	R35	6202ZZ	11	35	30
30				76.39	75.02	65	85										
32				81.49	80.12	70	90										
34				86.58	85.21	75	95										
35				89.13	87.75	75	95										
36				91.67	90.3	80	99										
38				96.77	95.39	85	105										
40				101.86	100.49	90	110										
42				106.95	105.58	95	115										
44	112.05	110.67	98	118													
45	114.59	113.22	98	118													
18	S8M-40 A=44 W=49	Y (Centered)	12	45.84	44.46	35	50	6201ZZ	10	32	27	6.5	R32	6201ZZ	10	32	27
20				50.93	49.56	40	55										
22				56.02	54.65	44	62										
24				61.12	59.74	50	70										
25				63.66	62.29	50	70										
26				66.21	64.84	55	75										
28		Z (Sides)	20	71.3	69.93	60	80	6202ZZ	11	35	30	13.5	R35	6202ZZ	11	35	30
30				76.39	75.02	65	85										
32				81.49	80.12	70	90										
34				86.58	85.21	75	95										
35				89.13	87.75	75	95										
36				91.67	90.3	80	99										
38				96.77	95.39	85	105										
40				101.86	100.49	90	110										
42				106.95	105.58	95	115										
44	112.05	110.67	98	118													
45	114.59	113.22	98	118													