

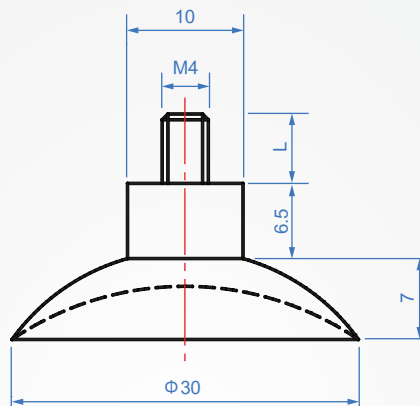
Suction cup

TY998

Ontology	Metallic parts	Finish
NBR Rubber	Steel-SS41	Plated multicolored

Use :

It has good absorption for vertical vibration and is also very suitable for the control of horizontal vibration.



How to order

TY998 - M4 - 3
TYPE Height

Unit : mm

M	L		
M4	3	6	10

Copyright © CHENA INDUSTRIAL CO.,LTD ALL RIGHTS RESERVED.