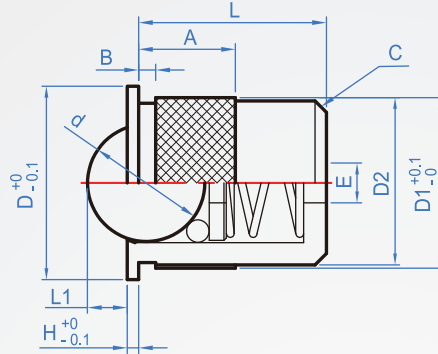


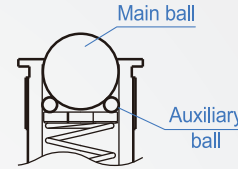
Spring function

BR833 POM resin



Main part	Distance ring	Main ball	Auxiliary ball	Spring
Engineering resin (POM)	Engineering resin (POM)	Engineering resin (POM)	SUS440C	SUS631JI

Feature : Through the main ball and the auxiliary ball structure let balls rotate smoothly.



How to order

BR833 - 7
 |
 TYPE D1

Copyright © CHENA INDUSTRIAL CO.,LTD ALL RIGHTS RESERVED.

D1	D	D2	L	H	L1	d	A	B	E	C	Load resistance (N)				
											min.	min.-0.1mm	max.		
											7	9	—	7.5	1
9	11	8.4	10	1.7	5.56	7	2.5	0.3	0.2	4					
13	15	12.4	15	2.8	8.73	1.2	3				11				
15	17	14.7	16.5	3.5	10.32	8.5	3.5	1.5	5.3	14					
20	22	19.4	22.5	1.5	5.2	15.88	10.5				6.4	21			
24	26	23.4	29		6.6	19.05	13.5								

kgf=N×0.101972