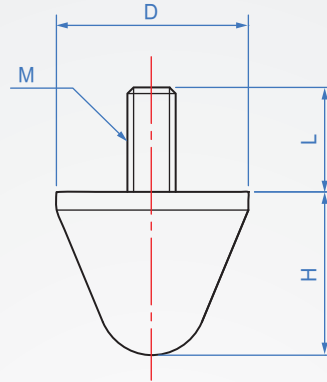


Shockproof foot  
**VB994**  
Taper-A



Main part	Metal part	Finish
NR rubber	Steel-SS41	Multicolored plating

How to order

VB994 - 20  
|     |  
TYPE   D

unit :mm

D	H	M	P	L	Allowable load kg
20	20	M6	1	18	20
30	30	M8	1.25	23	40
50	50	M10	1.5	37	60
75	60	M12	1.75	51	150
90	75				250

※Appearance will be a little excess glue, which does not affect the function.