

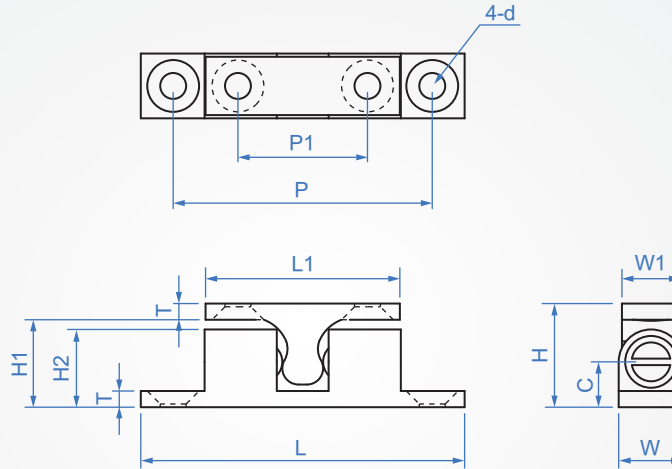
Spherical CB928

Body material

Eccentric screw material

Zinc alloy

Chrome plating



How to order

CB928 - 50
TYPE L

unit:mm

L	L1	W	W1	P	P1	H	H1	H2	C	T	d	Weight (g)
43	25	8	7.5	35	16	13.5	11	10	6	2.5	3	15.4
50	30	10	9	40	20	16	13	12	7	2.5	4	25.4
70	42	13	10	60	30	23	19	17	10.5	4	4	68.8