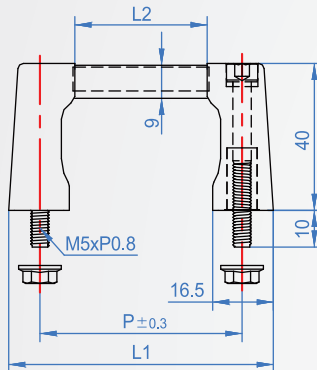
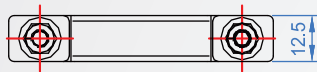


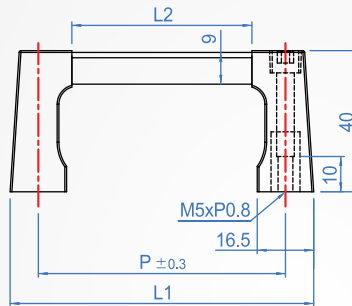
Aluminum alloy handle

**HA947** Light load

Screw type



NU : Nut type



## Material and finish

- Holder : Polyamide (PA6-GF33),Black (optional : White).
- Handle : Aluminum alloy (6063),Anodized in natural or black color.
- Load Capacity : 441 N/pcs

## Features

- Resistance to acid, alkali, greasiness.
- Working temperature between -20°C~120°C

## How to order

HA947 - 55 -

TYPE P

Type chosen

Screw type.....

Nut type.....

P	L1	L2	Weight(g)		Panel specifications
			Screw type	Nut type	
55	72	36	39	40.5	-
70	87	51	42	43.5	2U
88	105	69	44	45.5	-
100	117	81	45	46.5	-
115	132	96	48	49.5	3U
120	137	101	47	48.5	-
150	167	131	52	53.5	-
159	176	140	54	55.5	4U
180	197	161	56	57.5	-
203	220	184	60	61.5	5U
235	252	216	63.5	65	-
248	265	229	65	66.5	6U

Unit : mm

Che Na

FAX 886-2688-3177

info@chena.com.tw

886-22688-3188  
886-2688-3881~3No.21, Guangrong St. Shulin Dist.,  
New Taipei City 238 Taiwan (R.O.C.)