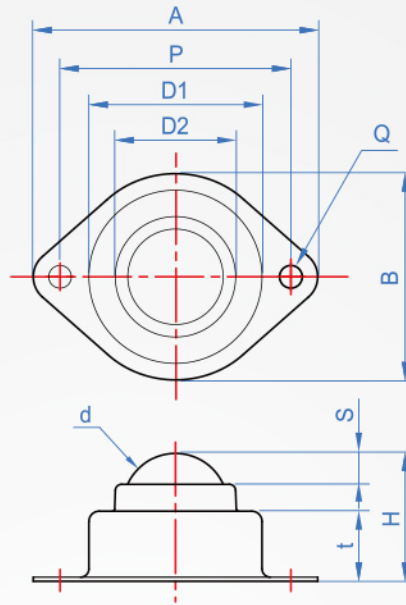


Rhombus-Clean room
BR820



How to order

BR820 - S8Y-CR -

TYPE Code

Main ball material chosen

POM..... POM

UPE..... UPE

PTFE..... PTFE

PEEK..... PEEK



Unit : mm

Allowable load	Code	Main ball	Main part & Auxiliary ball	A	B	D1	D2	H	t	S	P	Q	φ d
5 kg	S8Y-CR	POM UPE PTFE PEEK	SUS304	69	50	42	29.5	31	1	7.5	56	φ 5.5	1"Ball(25.4)

Note