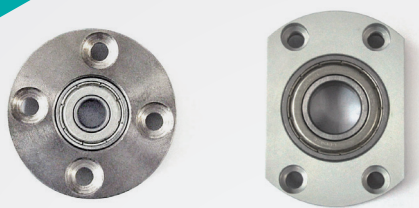
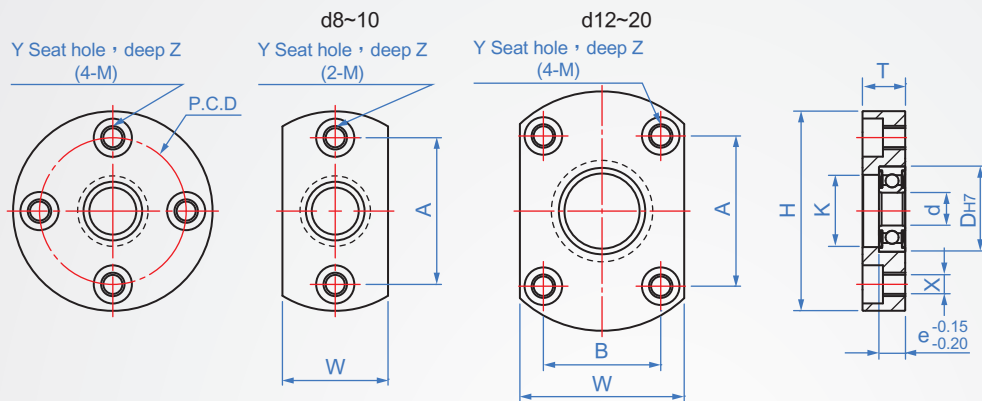


No buckle BH553



F : Round

H : Two plane shape

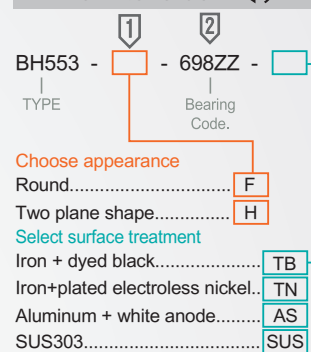


Appearance	Material	Surface finish	Bearing
F Round	Iron S45C	TB Blackened	SUJ2 (JIS 0)
		TN Electroless nickel	
H Two plane shape	Aluminum A6061	AS Clear anodizing	
		SUS303 Degreased	

※Countersink through part tapping design, positive and negative two sides can be installed.

※Accessory : C type retaining ring(SUS304)

How to order



unit : mm

Bearing code	d	D H7	Tolerance	T	H	e	W	K	P.C.D	A	B	X (M Coarse teeth)	Y	Z				
678ZZ	8	12	+0.018 0	6	34	3.5	18	10	25	25		3.3 (M4x0.8)	8	4.4				
698ZZ		19	+0.021 0	8	41	6	25	15	31	31		4.3 (M5x0.7)	6.5	3.4				
608ZZ		22		9	45	7	29	18	35	35								
628ZZ		24		10	47	8	32	20	37	37								
6700ZZ	10	15	+0.018 0	7.5	37	4	22	12	27	27		4.3 (M5x0.8)	8	4.4				
6800ZZ		19	41		5	25	15	31	31									
6900ZZ		22	+0.021 0	8	45	6	29	19	35	35								
6000ZZ		26	10	50	8	34	22	40	40									
6200ZZ	30	11	54	9	38	24	44	44										
6701ZZ	12	18	+0.018 0	7.5	40	4	25	15	30	30		4.3 (M5x0.8)	8	4.4				
6801ZZ		21	44		5	29	17	34	34									
6901ZZ		24	+0.021 0	8	48	6	31	21	38	38								
6001ZZ		28	10	52	8	36	24	42	42									
6201ZZ	32	+0.025 0	12	56	10	40	26	46	46									
6702ZZ	15	21	+0.021 0	7.5	44	4	29	18	34	34		5.2 (M6x1.0)	9.5	5.4				
6802ZZ		24			47	5	32	20	37	37								
6902ZZ		28	9	57	7	37	25	45	45									
6002ZZ		32	+0.025 0	11	60	9	40	28	48	48								
6202ZZ	35	13	64	11	44	29	52	52										
6803ZZ	17	26	+0.021 0	7.5	50	5	34	22	40	40		4.3 (M5x0.8)	8	4.4				
6903ZZ		30	9		60	7	38	27	48	48								
6003ZZ		35	+0.025 0	12	66	10	44	31	54	54								
6203ZZ		40	14	72	12	50	34	60	60									
6704ZZ	20	27	+0.021 0	7.5	51	4	35	23	41	32	25	4.3 (M5x0.8)	8	4.4				
6804ZZ		32	9		60	7	40	28	48	38					29	5.2 (M6x1.0)	9.5	5.4
6904ZZ		37	+0.025 0	11	69	9	47	34	56	51					24	6.8 (M8x1.25)	11	6.5
6004ZZ		42	14	77	12	54	36	64	56	32								
6204ZZ	47	16	81	14	58	40	68	59	34									