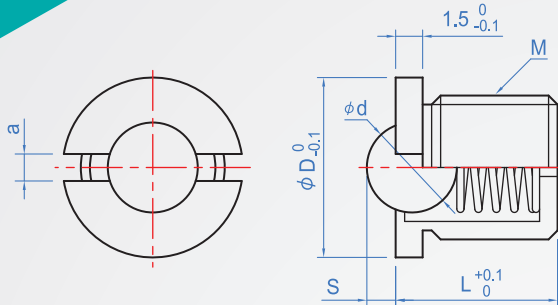


With flange
BB610



| Type | Main part | | Ball |
|-----------------|------------------|-------------|-------------------|
| | Material | Finish | |
| Steel | S45C 29~35HRC | Black oxide | SUS440C 55HRC~ |
| Stainless steel | SUS303 | — | |

Spring : SUS631J1

How to order

BB610 - M5 -

 | |

 TYPE M

Material chosen

 S45C.....

 SUS303..... SUS

| M Coarse thread | D | L | S | d | a | Load (N) | | | | Applicable spanner |
|--------------------|----|------|-----|------|-----|----------------|------|---------------|------|-----------------------|
| | | | | | | Main part S45C | | Main part SUS | | |
| | | | | | | min. | max. | min. | max. | |
| M5 | 7 | 5 | 0.8 | 3 | 0.8 | 0.6 | 5.6 | 1.3 | 6.4 | B-1 |
| M6 | 8 | 6 | 1.0 | 4 | 1.0 | 2.8 | 6.3 | 2.7 | 8.0 | B-2 |
| M8 | 10 | 7 | 1.6 | 5 | 1.5 | 2.9 | 9.6 | 1.3 | 10.2 | B-3 |
| M10 | 12 | 9 | 1.9 | 6.35 | | 6.4 | 11.7 | 6.1 | 17.2 | B-4 |
| M12 | 14 | 11.5 | 2.4 | 7.94 | 2.0 | 9.0 | 15 | 2.1 | 18.8 | B-5 |
| M16 | 18 | 16 | 3.2 | 9.53 | | | 21.5 | 13 | 25.5 | |

Unit : mm

k f NX0 101972