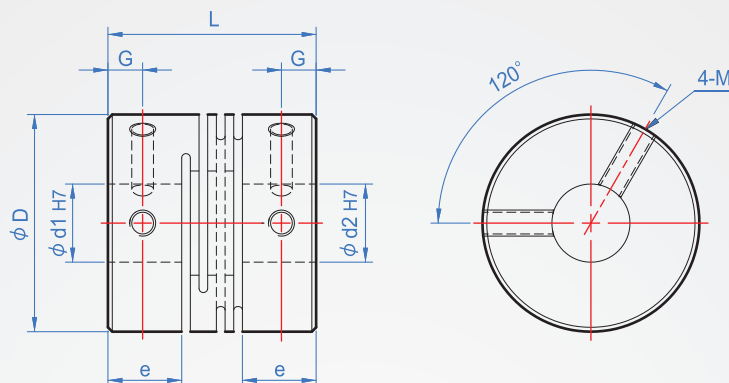


Slit & Set screw coupling

CH404

Short type

**Main part**A6061
(Clear anodizing)

SUS303

Set screwSCM435
(Black oxide)

SUS304

How to order

CH404 - 16 - 4x5 -
 TYPE D d1xd2

Material chosen

A6061.....
 SUS303..... SUS

D	Bore designation d1 - d2	L	e	M	G	General torque (N · M)		Maximum torque (N · M)		Maximum number of revolutions (rpm/min)	moment of inertia (kg/m ²)		Allowable axis Displacement		quality (g)			
						AL		SUS			AL		SUS		AL		SUS	
						AL	SUS	AL	SUS		AL	SUS	AL	SUS	AL	SUS		
16	4 ~ 6	18	6.8	M3	3	0.3	0.5	0.6	1	24000	2.8x10 ⁻⁷	7.2x10 ⁻⁷	±0.1	9	22			
20	5 ~ 10	20	7.5	M4		0.5	1	1	2	19000	7.5x10 ⁻⁷	2.0x10 ⁻⁶		12	41			
25	6 ~ 12	25	9.6	M4	4	1	2	2	4	15000	2.3x10 ⁻⁶	6.1x10 ⁻⁵	±0.2	30	80			
32	6 ~ 14	32	12.5	M5	6	2	3.5	4	7	12000	8.0x10 ⁻⁶	2.1x10 ⁻⁵		63	180			
*40	10 ~ 16	40	15.3	M5	7.5	5	-	10	-	9800	3.0x10 ⁻⁵	-	-	128	-			

* Stainless steel outer diameter no 40mm

Allowable deflection angle: 1°