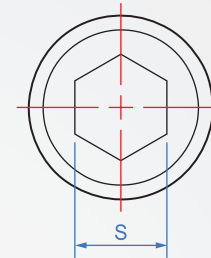
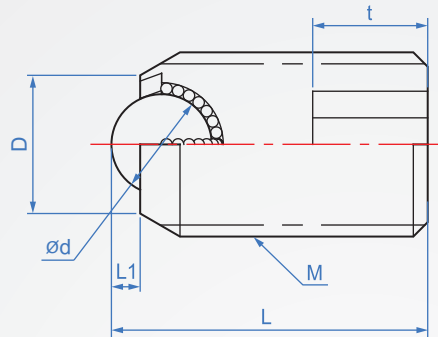


Set ball roller-SUS main part

BR840



Main part	Cover	Main ball	Auxiliary ball
SUSXM-7	SUS304	SUS440C HRC55~	SUS440C HRC55~
		Resin(POM)	

How to order

1
 BR840 - M8 -
TYPE M
 Main ball chosen
 SUS440C.....Blank
 POM.....POM

1

Unit : mm

M Coarse thread	L	L1	D	d	S	t	Load resistance (N)	
							Metal ball	Resin ball
M6	12	0.9	3.5	3.18	3	3.5	2	0.5
M8	14	1.3	5	4.76	4	5	5	1
M10	16	1.2	7	4.76	5	6	14	7
M12	20	1.5	8	5.56	6	8	41	27
M16	25	2.5	12	8.73	8	10	55	34
M20	30	3.5	15	10.32	10	12	62	55

kgf=N×0.101972