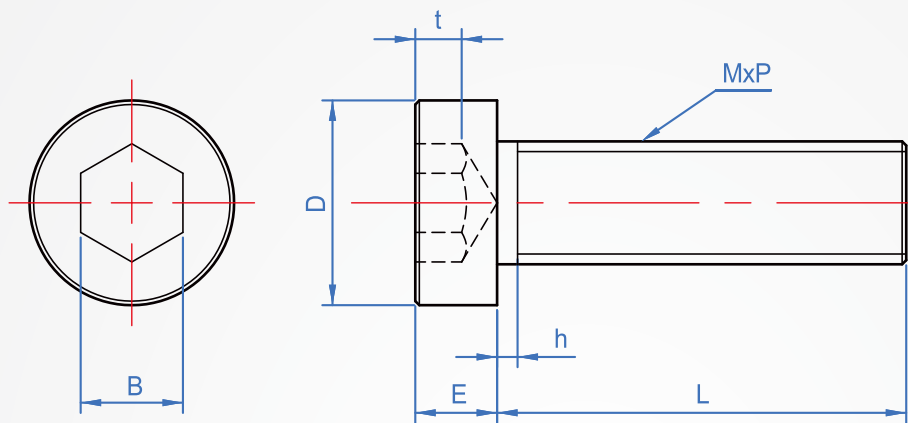


Hex socket low head cap screw

WA730



Material	Finish	Strength distinction
S45C HRC22~32	Black oxide	8.8
SUS304	—	A2-50

How to order

1 2
 WA730 - M3 - 5 -
TYPE M L
 Material chosen
 S45C.....
 SUS304..... SUS

1											2					Unit : mm				
M	Pitch	L									D	E	B	t max.	h max.					
M2.5	0.45	5	6	8	10						4.5	1.6	1.5	1.3	1					
M3	0.5	5	6	8	10	12	16				5.5	2	2	1.5	1.5					
M4	0.7		6	8	10	12	16	20			7	2.8	2.5	2.3	2.1					
M5	0.8		6	8	10	12	16	20	25		8.5	3.5	3	2.7	2.4					
M6	1.0			8	10	12	16	20	25		10	4	4	3	3					
M8	1.25				10	12	16	20	25	30	13	5	5	3.8	3.75					
M10	1.5						16	20	25	30	35	16	6	7	4.5	4.5				
M12	1.75							20	25	30	35	40	18	7	8	5.25	5.25			

※ The term-strength rank-signifies the screw's tensile strength of the male screw parts.

8.8

8→ Indicates that the yield point or the minimum proof strength is 80% of the tensile strength.

8→ It indicates that the minimum value of nominal tensile strength 800N/m² {81.6kgf/m²}

A2-50 / A2-70

50→ It indicates that the minimum value of nominal tensile strength is 500N/m² {51kgf/m²}

70→ It indicates that the minimum value of nominal tensile strength is 700N/m² {71kgf/m²}

A2→ The steel class is A2 (Austenitic stainless steel)

※ This delicately exquisite product is designed to be thinner, smaller and more space-saving.