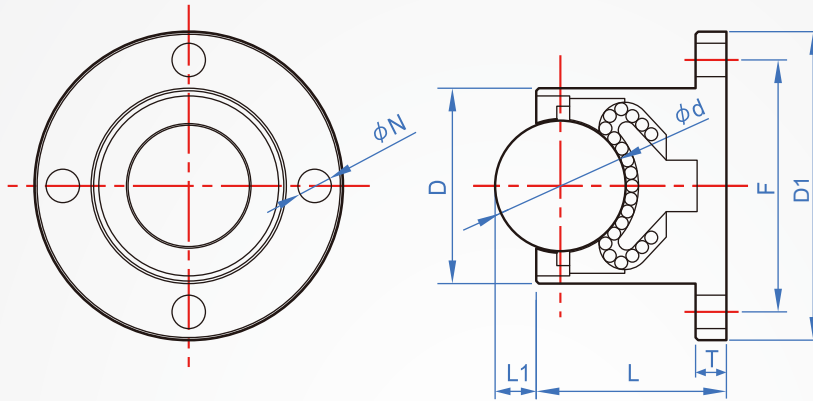


Round flange
BR851
Downward



Main part	Dust ring	Base	Main ball	Auxiliary ball
S45C Electroless nickel	Felt	SCM415 50HRC~	SUJ2 55HRC~	SUJ2 55HRC~



How to order

BR851 - 40
|
TYPE | D1

1										Unit : mm
D1	D	L	F	N	L1	d	T	Load resistance (N)	Weight (g)	
40	24	24	32	4.5	5	15.875	4	900	165	
50	30	28	40	5.5	6	19.05	5	1100	180	
60	38	37	49	6.5	8	25.4	6	1200	190	

kgf=N×0.101972