

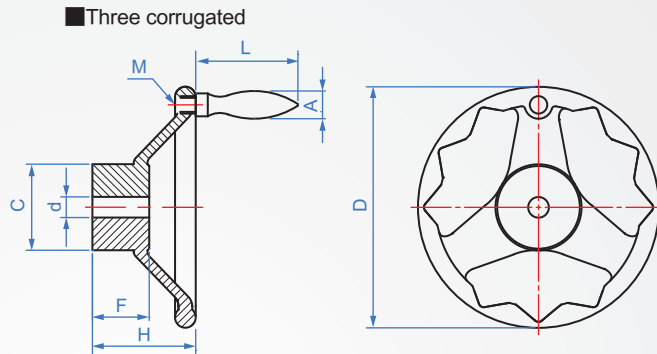
Cast iron  
**YN964**  
corrugated  
inner wheel



No handle, no ripple



Three corrugated



Ontology		Rotary handle	
Material	Finish	Material	Finish
Cast iron FC20	Chrome plating	Aluminum zinc alloy	Chrome plating

1

2

unit : mm

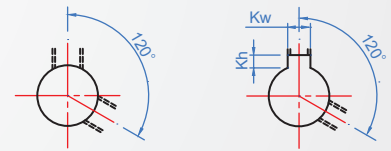
No.	D	d	Hole type	Aperture	C	F	H	Rotary handle			weight kg			
								A	L	M				
No handle, no ripple	75	6	P	8~10	24	23	40	-	-	-	0.31			
Three handleless no ripple	70	6		8~10	25	16	30	-	-	-	0.25			
Three corrugated (With fixed handle)	99	7		8~10	30	18	38	19	72	5/16"	0.4			
	121			8~12	38	25	45				0.7			
	139	8		10~16	45	27	50	23	85	3/8"	1			
	152										41	55	1.1	
	163				42	57	1.4							
	176						10~20				49	61	1.8	
	202			60	71	2.9								
	252					12~22					69	82	4.1	
	300													

How to order

YN964 - 99 - N10  
TYPE      D      Specified hole

P Round hole + tapping 120°

N Keyway + tapping 120°



Shaft hole P, N size table

unit : mm			
Shaft aperture	Kw	Kh	Tapping
8~10	3	1.4	M4
11~12	4	1.8	
13~17	5	2.3	M5
18~22	6	2.8	M6
23~30	8	3.3	

(New JIS B 1301)