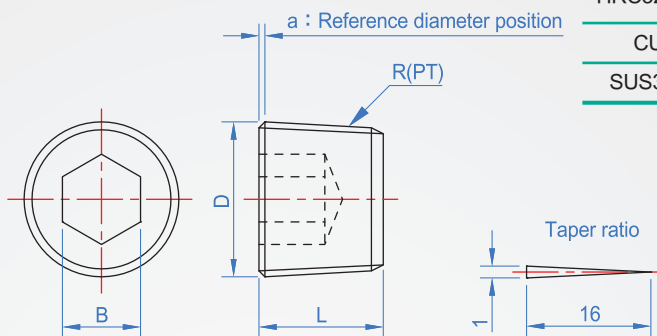


Taper screw
WA738
Imperial units



Material	Finish
SCM435 HRC32~42	Dye black Dye black+Sealing coating
CU	—
SUS304	—

How to order

WA738 - 1PT -

TYPE M

Select material handling

SCM435.....

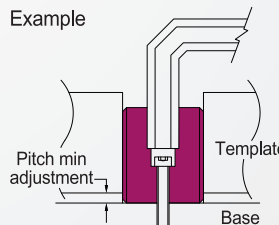
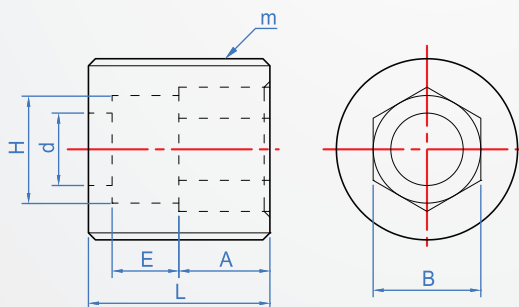
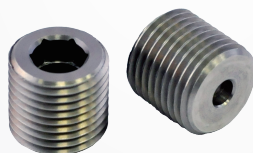
SCM435+coating...

CU.....

SUS304.....

M (PT thread)	D	a	Spiral number	Pitch	L	B	t	R(PT)
1/8PT	9.728	0.45	28	0.91	7	5	3.5	1/8
1/4PT	13.157	0.7	19	1.34	8.9	6	4.5	1/4
3/8PT	16.662				10	8	5	3/8
1/2PT	20.955	0.9	14	1.81	12	10	6	1/2
3/4PT	26.441				14	14	7	3/4
1PT	33.249	1.1	11	2.31	16.5	17	9	1

Adjusting set screw
WA739 Fine thread



Material
SUS303

How to order

WA739 - M12 - 10

TYPE M L

M	Pitch Fine teeth	L							A	B	d	E	H	Use screws
M12	1.0	10	15					4	6	3.3	4.5	6	M3x0.5	
M16	1.5		15	20				5	8	4.3	7.0	8	M4x0.7	
M20			15	20	25	30	35	40	6	10		5.3	10	M5x0.8
M24				20	25	30		40	8	14	6.3	9.0	14	M6x1.0