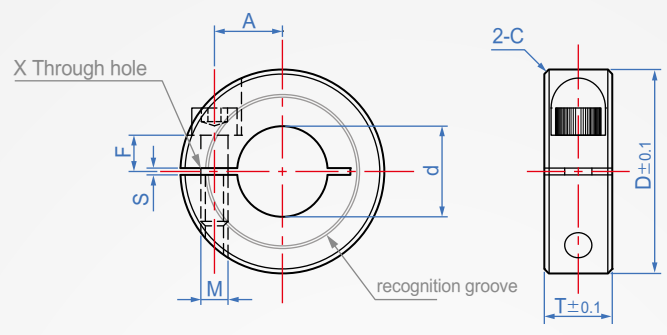


Half Open Type
Small Outer Diameter
EZ481



material	surface treatment	with screws
S45C	blackened	alloy steel
SUS303	-	SUS

How to order

EZ481 - 8 - 18 - 9 -

TYPE d D T

select material

S45C+blackened.....

SUS303.....

unit :mm										
1	2	3								
d	tolerance	D	T	A	C	F	S	M	X through hole	
6	+0.05 +0.01	16	9	5	0.5	3	1.5	M3	3.4	
8		18		7		4				
10		24		8		5.5				
12		28	11	10		6		M4	4.5	
14		29		11						
15		34	13	12		1		6.5	M5	5.5
16		36		13						
17		40		15						
18		45		16						
20		54	15	20		1		7.5	M6	6.6
25	57	22								
30	60	25								
35	78	30								
40						7.5	2			
50						10.5	3	M8	9	

Copyright © CHENA INDUSTRIAL CO., LTD ALL RIGHTS RESERVED.