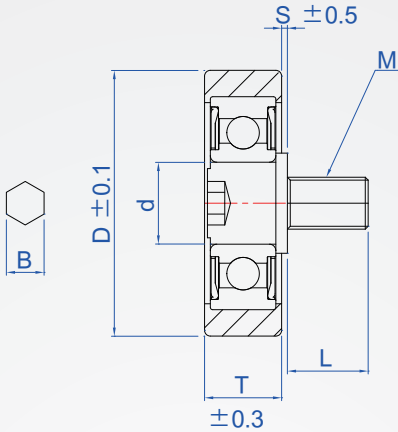


POM Resin bearing

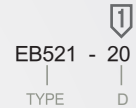
EB521

With screw thread



Surface Resin	Bearings	Axis
POM	SUJ2	SUS

How to order



Allowable load (N)	unit : mm							
	D	d	T	S	M	L	Hexagonal hole B	Built-in bearing
78	19	5	7	1	M5	6	2.5	605ZZ
	20		6		3		696ZZ	
98	24	6	8	2		M6	8	4
	26		10		608ZZ			
196	28	8	11	2	M8	10	4	608ZZ
	30		12					
300	32							

kgf=N×0.101972