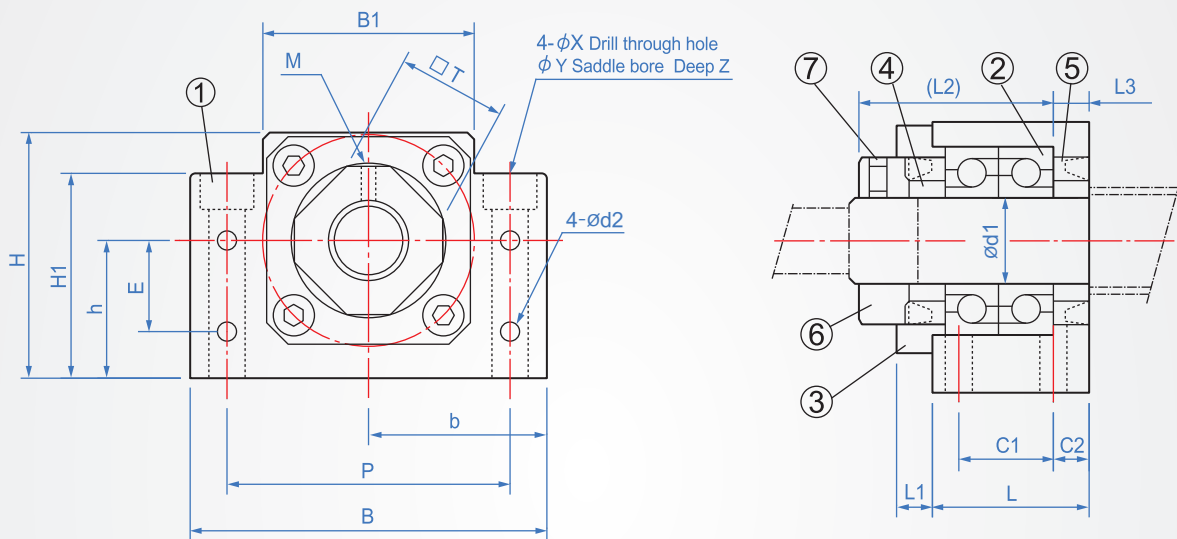


Fixed side
BK



■ Constitute parts

| Number | Parts name | Quantity |
|--------|-------------------------------|----------|
| ① | Bearing chock | 1 |
| ② | Angular bearing | 1 set |
| ③ | Gland | 1 |
| ④ | Distance ring | 2 |
| ⑤ | Gasket | 2 |
| ⑥ | Grip nut | 1 |
| ⑦ | Hex set screw with heel block | 1 set |

★Warning : ①②③ as a whole, do not decompose.

| Material | Finish |
|----------|-------------|
| S45C | Black oxide |

How to order

BK - 10 -

TYPE No.

Choose a bearing

- Bevel P5 Made in Japan.....
- Bevel P0 Made in Japan.....
- Bevel P5 made in Taiwan.....
- Bevel P5 Made in China.....
- Deep groove ZZ made in Japan...
- Deep groove ZZ made in Taiwan...

| No. | d1 | L | L1 | L2 | L3 | B | H | b h | | B1 | H1 | E | P | C1 | C2 | d2 | X | Y | Z | M | □T |
|-----|----|----|----|----|----|-----|----|-------|----|----|------|----|-----|----|----|-----|-----|------|-----|-------|-------|
| | | | | | | | | ±0.02 | | | | | | | | | | | | | |
| 10 | 10 | 25 | 5 | 29 | 5 | 60 | 39 | 30 | 22 | 34 | 32.5 | 15 | 46 | 13 | 6 | 5.5 | 6.6 | 10.8 | 5 | M10x1 | 16 |
| 12 | 12 | | | | | | | | 25 | | | | | | | | | | | 1.5 | M12x1 |
| 15 | 15 | 27 | 6 | 32 | 6 | 70 | 48 | 35 | 28 | 40 | 38 | 18 | 54 | 15 | 8 | 6.6 | 9 | 14 | 6.5 | M15x1 | 22 |
| 17 | 17 | | | | | | | | | | | | | | | | | | | 9 | 44 |
| 20 | 20 | 35 | 8 | 43 | 8 | 88 | 60 | 44 | 34 | 52 | 50 | 22 | 70 | 19 | 8 | 6.6 | 9 | 14 | 8.5 | M20x1 | 30 |
| 25 | 25 | | | | | | | | | | | | | | | | | | | 12 | 54 |
| 30 | 30 | 45 | 14 | 61 | 9 | 128 | 89 | 64 | 51 | 76 | 78 | 33 | 102 | 23 | 11 | 11 | 14 | 20 | 13 | M30x1 | 40 |

Corresponding screw & bearing please refer to 2-19 page.