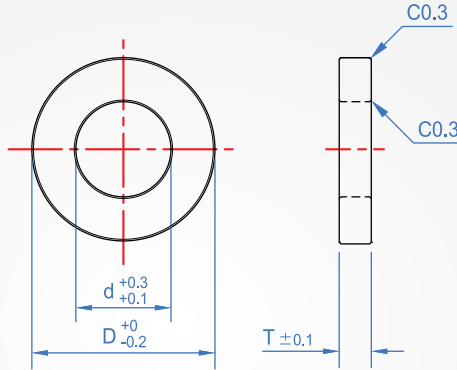


Washer

WA792 Tolerance 0.1mm



Material	Finish
S45C	Dye black
	Electroless nickel

How to order

WA792 - 3 - 8 - T5 -

TYPE d D T

Material chosen

S45C+Black oxide..... **TB**
 S45C+Electroless nickel..... **TN**

1							2		3				Unit : mm
d							D		T				
2	3	4	5	6	8	10			T1	T2	T3	T5	
●							4	●	●				
●	●						5	●	●				
●	●	●					6	●	●				
●	●	●	●	●			8	●	●	●		●	
●	●	●	●	●	●		10	●	●		●	●	
	●	●	●	●	●	●	12	●	●		●	●	●
		●	●	●	●	●	13	●	●	●	●	●	●
		●	●	●	●	●	14	●	●	●	●	●	●

Copyright © CHENA INDUSTRIAL CO.,LTD ALL RIGHTS RESERVED.

Che Na

FAX 886-2688-3177

info@chena.com.tw

886-22688-3188
886-2688-3881~3

No.21, Guangrong St. Shulin Dist.,
New Taipei City 238 Taiwan (R.O.C.)