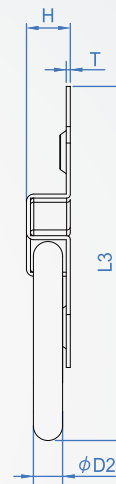
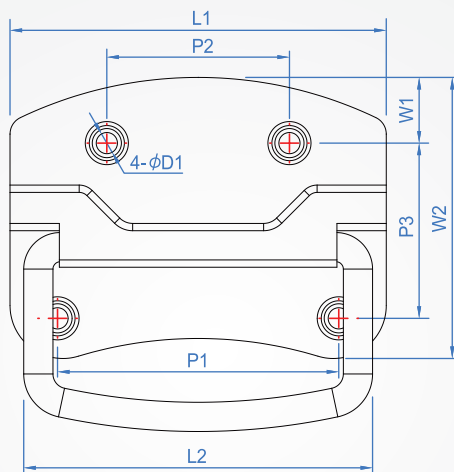


Chest handle  
**HA958**

Material	Finish
SUS304	Vibration ground



How to order

HA958 - 80  
| TYPE | L1

Unit : mm

L1 (Item No.)	P1	P2	P3	L2	L3	W1	W2	H	T	D1	D2	Load Capacity (kg)	Weight (g)
80	60	38	40	76	80	12	63	10	1.1	5	6	26	75.5
101	77	50	49	95	97	18	78	14	1.5	5.8	8	60	171.4