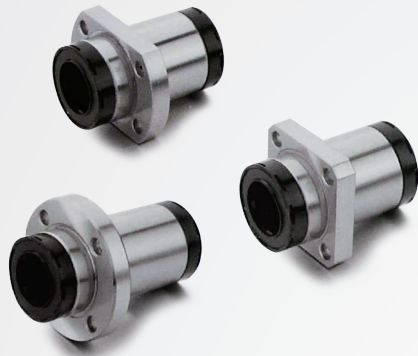


MX Embed
MX237
General

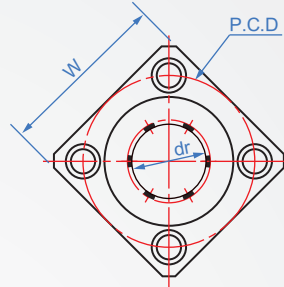
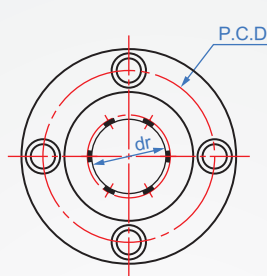
Outer tube	Steel ball	Holder	Ambient temperature	Annex
SUJ2 HRC58~	SUJ2	Resin	-20~80°C	Two side dust cover

characteristic : With lubricating resin, it has auxiliary maintenance function during exercise.

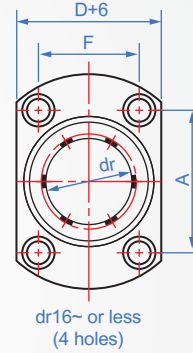
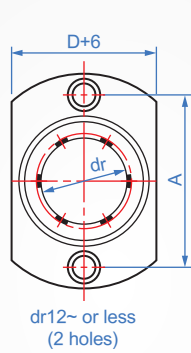
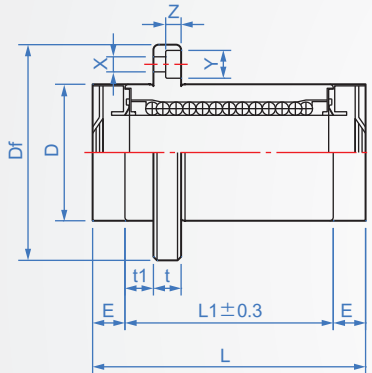


F : Round flange

K : Square flange



H : Two-sided flange



How to order

MX237 - 10 -
TYPE dr

Choose shape

Round flange..... F

Square flange..... K

Two-sided flange... H

dr	tolerance	Main dimensions						Flange						Eccentric max.	Straight angle	Basic load rating			weight(g)					
		D tolerance	L	L1	E	A	Df	F	P.C.D	t	t1	W	X			Y	Z	Move C	Still Co	Round	Square	Two sides		
10		19		39	29	5	29	40		29								370	540	75	55	65		
12	+0 -0.009	21	+0 -0.016	41	30	5.5	32	42		32	6	6	32	4.5	7.5	4.1	0.012	0.012	500	780	80	60	70	
16		28		49	37	6	31	48	22	38			37					770	1150	125	110	115		
20		32		56	42	7	36	54	24	43			42					880	1350	190	150	175		
25	+0 -0.01	40	+0 -0.019	77	59	9	40	62	32	51		8	8	50	5.5	9	5.1	0.015	0.015	970	1550	355	310	340
30		45		84	64	10	49	74	35	60			58						1500	2700	490	390	410	
35		52		92	70	11	55	82	38	67			64	6.6	11	6.1			1600	3100	670	580	600	
40	+0 -0.012	60	+0 -0.022	104	80	12	64	96	45	78			75				0.02	0.02	2100	4000	1080	910	940	
50		80		128	100	14	80	116	56	98		13	13	92	9	14	8.1			3800	7900	2250	2060	2080

1N ≒ 0.12kgf

Copyright © CHENA INDUSTRIAL CO., LTD ALL RIGHTS RESERVED.