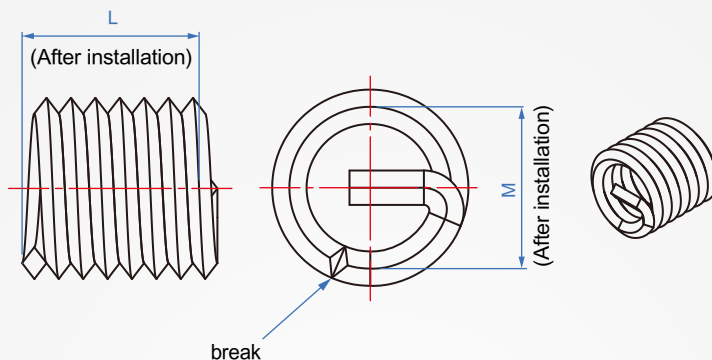


螺牙套 NL728

※characteristic:

1. Use thread sheaths to prevent mechanical vibration from loosening screws and causing tooth decay.
2. Used for aluminum, zinc, copper and other metals, which can effectively improve the thread
3. Can be used in aerospace, navigation, military supplies, weapons, tanks, automobiles, heavy industry machinery, etc.

Material	surface treatment
SUS304	RC43° ~50°



How to order

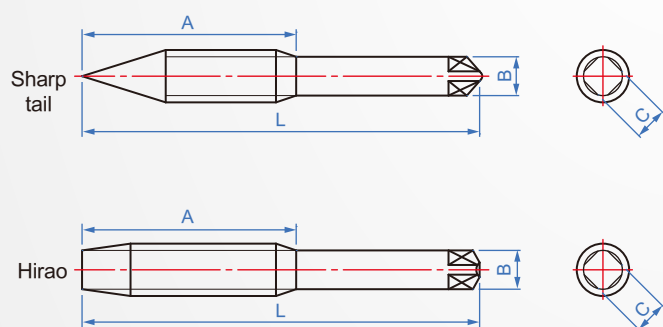
NL728	-	M2	-	1D
TYPE		M		TAP
L Shop				TOOL
Threaded braces.....				1D
Silk tapping tools (2/3 attack).....				TAP
Hand crank locking tool.....				TOOL

threaded braces

Metric teeth		L			Tapping drilling size			Reference number of turns ± 1/4		
M	P	1D	1.5D	2D	Applicable bit	Minimum	maximum	1D	1.5D	2D
M2	0.4	2	3	4	2.1	2.1	2.16	3-1/4	5-5/8	8
M2.5	0.45	2.5	3.8	5	2.6	2.6	2.65	3-3/4	6-1/8	8-1/2
M3	0.5	3	4.5	6	3.1	3.12	3.2	4	6-5/8	9-1/4
M4	0.7	4	6	8	4.2	4.17	4.3	3-7/8	6-3/8	8-7/8
M5	0.8	5	7.5	10	5.2	5.16	5.33	4-3/8	7-1/8	9-1/4
M6	1	6	9	12	6.3	6.25	6.42	4-1/4	7-1/8	10
M8	1.25	8	12	16	8.4	8.31	8.52	4-5/8	7-3/8	10-1/4
M10	1.5	10	15	20	10.5	10.37	10.62	5	8	11
M12	1.75	12	18	24	12.5	12.43	12.73	5	8-1/4	11-3/8

Thread tapping tools

Material	Hardness
SKH	61-64HRC



Thread tapping tools

How to order

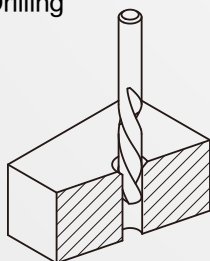
NL728 - M2 - TAP

Type	M	Suitable for braces M	L	Teeth length A	Shank diameter B	C
Sharp tail	M2	M2-0.4	40	15	3	2.5
	M2.5	M2.5-0.45	44	16	3	2.5
	M3	M3-0.5	48	18	4	3.2
	M4	M4-0.7	60	22	5.5	4.5
	M5	M5-0.8	62	24	6	4.5
Hirao	M6	M6-1.0	65	26	6.2	5
	M8	M8-1.25	75	32	7	5.5
	M10	M10-1.5	82	38	8.5	6.5
	M12	M12-1.75	90	42	10.5	8

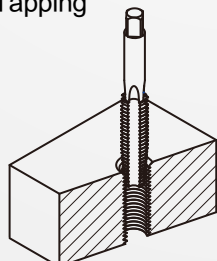
One box contains two (2/3 attack)

Use example :

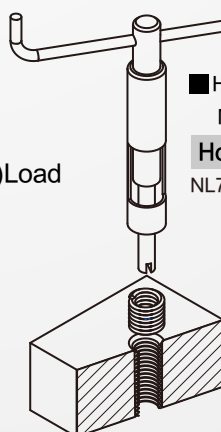
(1)Drilling



(2)Tapping



(3)Load



Hand tools M2.5~M12
M2 only single handle

How to order

NL728 - M2 - TOOL

(4)Discount

