

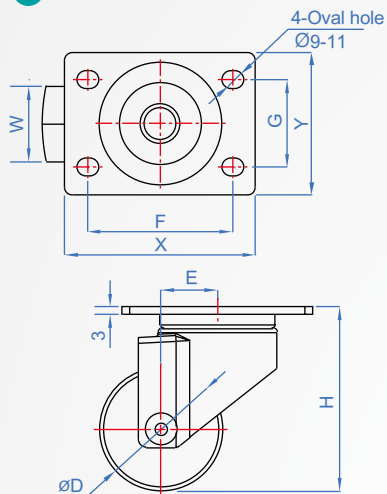
CA892

200kg

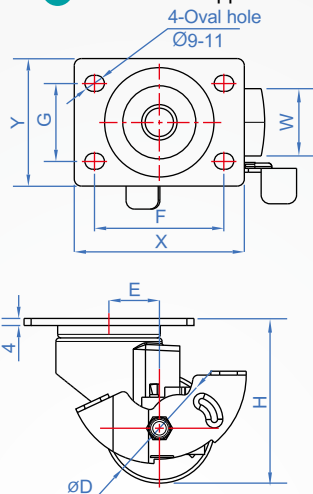


Caster	Bracket	Bearings
MC Nylon (black)	Galvanized steel	Double bearing type

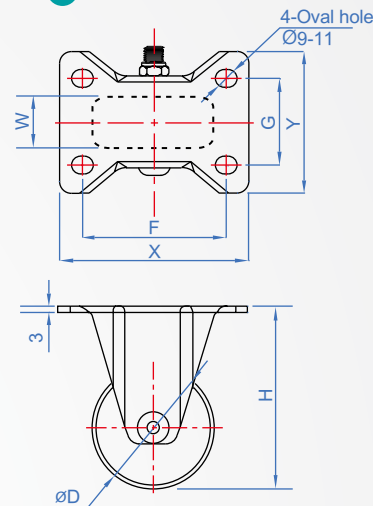
A Universal Caster



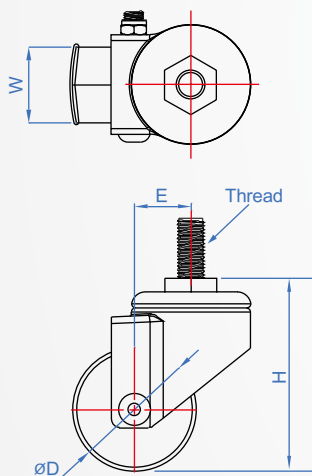
B Caster with Stopper



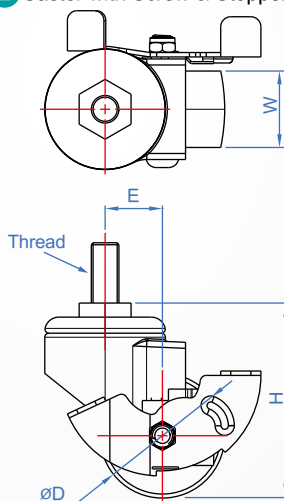
C Caster



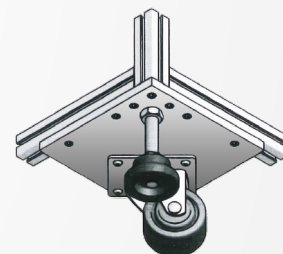
D Caster with Screw



E Caster with Screw & Stopper



※The CA892 series also has an aluminum alloy base plate that can be used in combination with a more rugged installation.



■ Steel type

Wheel type	Wheel diameter		W	H	E	Chassis		Setting holes		Load weight kg
	D	Inch				X	Y	F	G	
A、B、C	62	2.5"	38	92	28.5	96	71	73	44	200
A、B	75	3"		105						

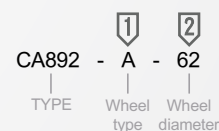
■ Screw type

Wheel diameter	Wheel type	W	H	E	Load weight kg	Thread			
						Metric	L	Inch	L
62	2.5"	38	92	28.5	200	M16	30	1/2"	30
75	3"		105			M16	40	5/8"	30

* Threads can be selected in metric or imperial systems

■ Steel type

How to order (▶)



■ Screw type

How to order (▶)

