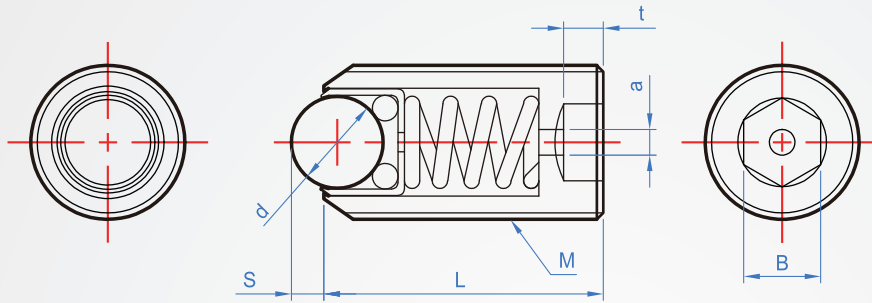


Spring function
BR831
 SUS Main part



Main ball	Auxiliary ball	Cover	Main part	Spring
SUS440C				
POM Resin	SUS440C	SUS304	SUSXM-7	SUS631JI



How to order

BR831 - M6 -
 TYPE M

Main ball material chosen
 SUS440C.....Blank
 POM.....POM

M Coarse thread	L	S	d	a	t	B	Pitch	Load (N)	
								min.	max.
M5	12	0.7	2.38	1.2	2	2.5	0.8	4.4	19.6
M6	13	0.8	3	1.5		2.5	3	1.0	8.1
M8	15	1.3	4	2	3		4	1.25	12.6
M10	16	1.6	5	2.5		3	5	1.5	13.5
M12	20	2.3	7.144	3	3		6	1.75	16.1
M16	25	3.1	9.525	4			8	2.0	26.1

kgf=N×0.101972

Copyright © CHENA INDUSTRIAL CO.,LTD ALL RIGHTS RESERVED.