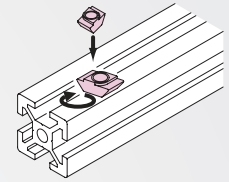
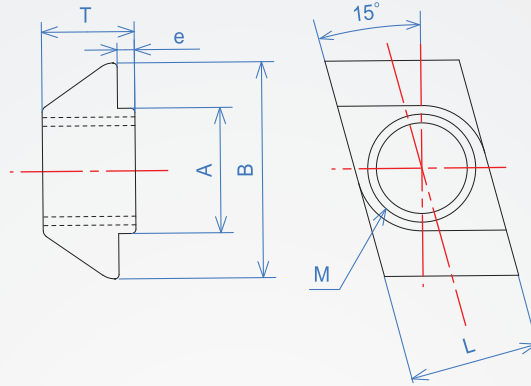


Sloping side nut -Install later

TT918

Material	Finish
S10C quite	Trivalent chromium



How to order

1 2
 TT918 - 6 - M3
TYPE Width M

1		2					Unit : mm	
Groove width	M	A	B	e	T	L	Quality g	No. (Aluminum extrusion series)
6	M3、M4、M5	5.8	10	0.6	4.1	6	1	20
8	M3、M4、M5、M6	7.8	15	0.5	6.3	8	4	30
10	M4、M5、M6、M8	9.8	17	0.7	9.0	10	7	40、45