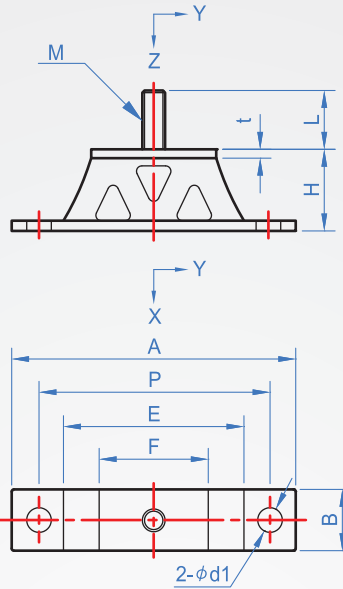
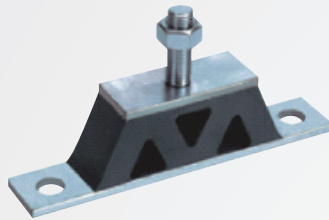


Shockproof foot  
**VB997** Complex type



Main part	Metal part	Finish
NR rubber	Steel-SS41	Multicolored plating

How to order

VB997 - 40  
|  
TYPE H

Unit : mm

H	A	B	E	F	d	P	t	M	Pitch	L	Use load kgf	Load (kgf)			Modulus of elasticity kg/cm	Rigidity ratio kx / kz
												Direction				
												X	Y	Z		
40	125	32	85	55	11	102	4.5	M10	1.5	30	15~35	12	14	70	200	0.17
45	160	38	105	70	14	130	4.5	M12	1.75	35	30~50	22	20	100	250	0.22
55	210	38	130	90	17	170	6	M16	2	48	50~90	45	35	175	290	0.25
65	245	50	165	115	20	205	8			52			80~125	40	250	370

Use :

Vertical vibration has good absorbcency, and on the horizontal of vibration control is also very suitable.

And the general use of mechanical shock pads low speed of rotation compared to (flange socket) composite horizontal and vertical direction straight is to lower the natural frequency can be generated.

Applicable :

Vertical vibration large of machinery.

Vibration conveyor, refrigerator, dashboard, generators, send press, etc.