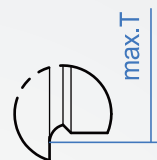


Japanese JIS specifications

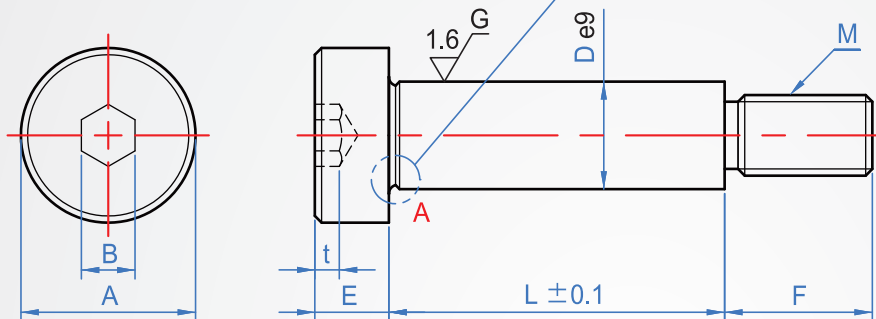
**WA721**

Stainless steel

Material

A2  
QuiteSUS304

An enlarged view of detail A



How to order

WA721 - 4.5 - 10 - SUS

1 2  
TYPE D L

Unit: mm

1		2																		
D	e9	L												A	B	t	E	F	M x Pitch	T max.
4.5	-0.020	10	15	20	25	30	35							7	2.5	1.6	3	6	3 x 0.5	5
5.5	-0.050	10	15	20	25	30								9	3	2.2	4	7	4 x 0.7	6
6.5		10	15	20	25	30	35	40						10	4	2.5	5	9	5 x 0.8	7
8	-0.025	10	15	20	25	30	35	40	45	50	55	60		13	5	3	6	9	6 x 1.5	8.7
10	-0.061	10	15	20	25	30	40	50	55	60	65			16	6	4	8	12	8 x 1.25	10.8

Che Na

FAX 886-2688-3177

info@chena.com.tw

886-22688-3188  
886-2688-3881~3No.21, Guangrong St. Shulin Dist.,  
New Taipei City 238 Taiwan (R.O.C.)