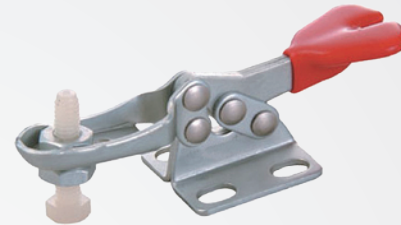
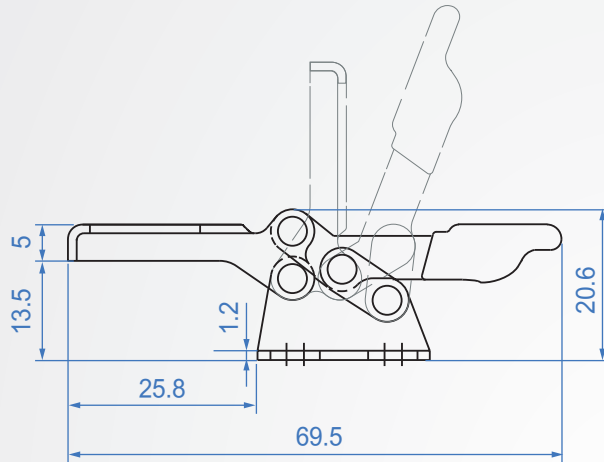
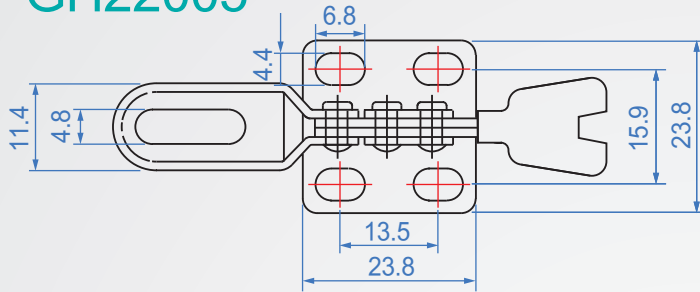


## GH22005



### GH22005

Material : SS400 Finish : Zinc plated

unit : mm

Code No.	Clamping pressure (kg)	weight (g)	Handle movement	Chuck movement	Front end fitting
GH22005	22.7	25	69°	90°	NSA-08034