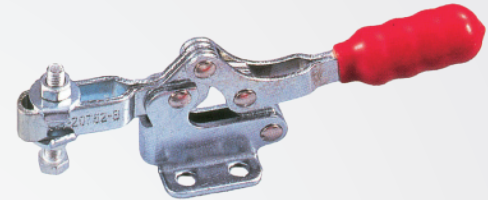
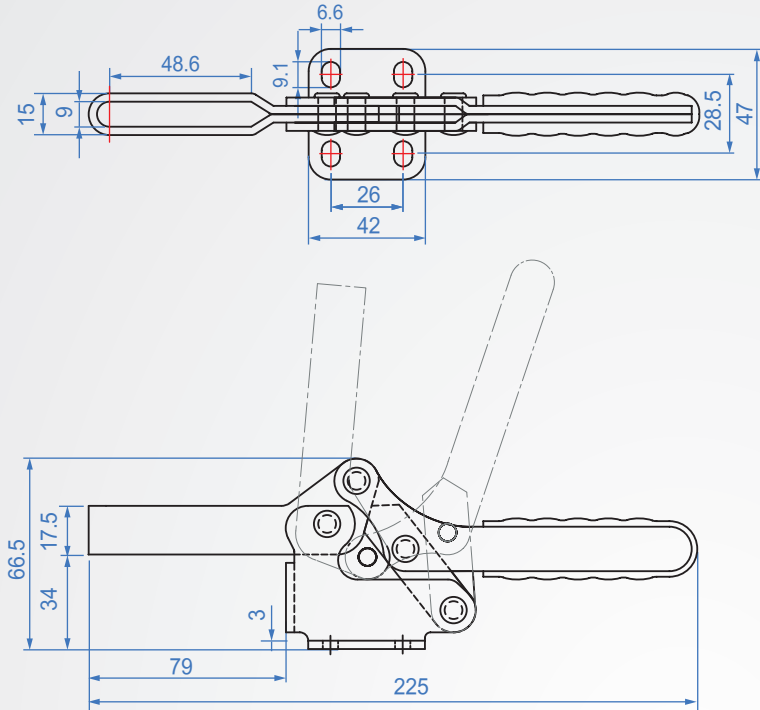


GH22502-B



GH22502B

Material : SS400 Finish : Zinc plated

Unit : mm

| Code No. | Clamping force(kg) | weight (g) | Hadle moving | Chuck moving | Front-end accessories |
|-----------|--------------------|------------|--------------|--------------|-----------------------|
| GH22502-B | 250 | 434 | 72° | 90° | NSA-085012 |