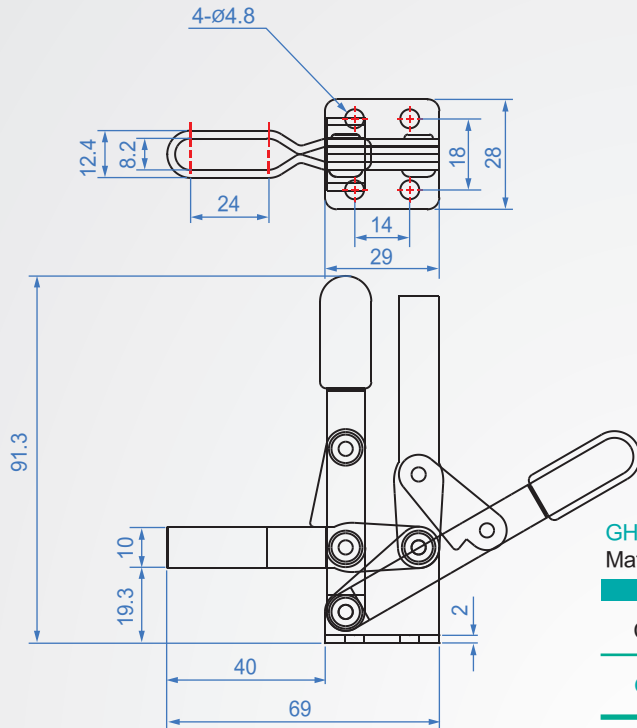


## GH102-B



## GH102-B

Material : SS400 Finish : Chrome plated

Unit : mm

Code No.	Clamping force(kg)	Weight (g)	Handle moving	Chuck moving	Front-end accessories
GH102-B	100	110	65°	90°	FC-14134(橡膠)