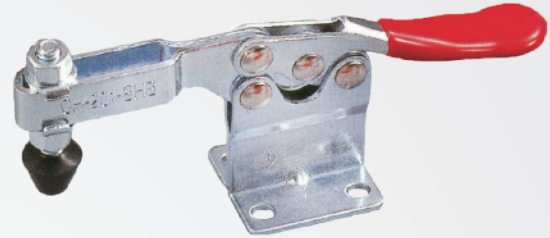
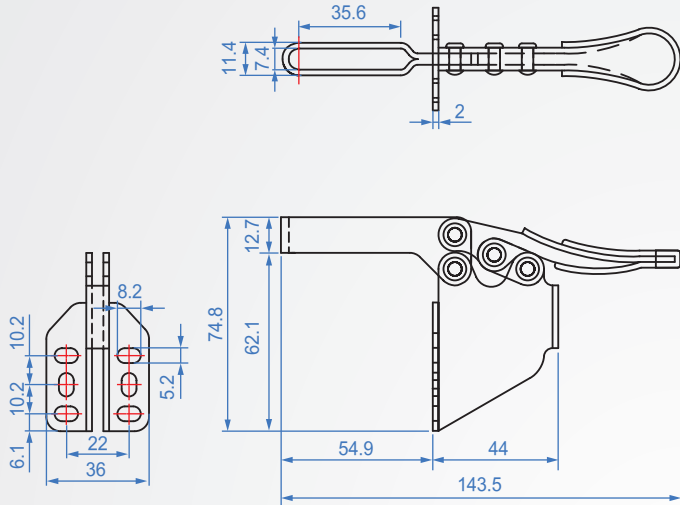


GH201-BSM



GH201-BSM

Material : SS400 Finish : Zinc plated

Unit : mm

Code No.	Clamping force(kg)	weight (g)	Hadle moving	Chuck moving	Front-end accessories
GH201-BSM	90	161	73°	85°	FC-14134