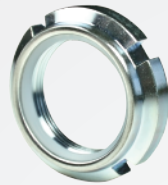


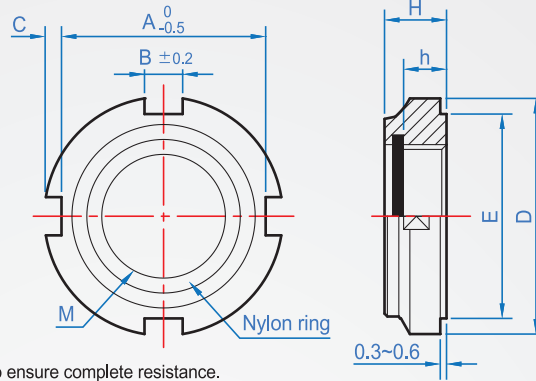
Torque flange nut

RN533 Nylon ring



Feature

- (1) Not need to add tooth lock washer.
- (2) Admissible repeatedly locked and remove.
- (3) Surface galvanized to prevent rusting.
- (4) thout the shaft keyway, saving assembly time.
- (5) Can withstand vibration, even if the lock is not tight enough can also ensure complete resistance.



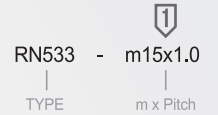
Material

SS41
(Galvanization)

Accessory

Nylon ring
PA6 Nylon

How to order



| Unit : mm | | | | | | | | | |
|------------|----|----|----|---|-----|------|-----|-------------|-----------------------|
| m x Pitch | D | A | E | B | C | H | h | Quality (g) | Suitable hook spanner |
| m10 x 0.75 | 18 | 15 | 15 | 3 | 1.5 | 7.4 | 4.5 | 9 | K1 |
| m12 x 1.0 | 21 | 18 | 18 | | | | | | |
| m15 x 1.0 | 24 | 21 | 21 | 4 | 2 | 8.4 | 5.5 | 12 | K2 |
| m17 x 1.0 | 28 | 24 | 24 | | | | | | |
| m20 x 1.0 | 32 | 27 | 27 | 5 | 2.5 | 9.4 | 6.5 | 25 | K3 |
| m25 x 1.5 | 38 | 33 | 33 | | | | | | |
| m30 x 1.5 | 44 | 38 | 38 | 6 | 3 | 10.3 | 7.0 | 35 | K4 |
| m35 x 1.5 | 50 | 44 | 44 | | | | | | |
| m40 x 1.5 | 56 | 50 | 50 | 6 | 3.5 | 10.9 | 8.2 | 46 | K5 |
| m45 x 1.5 | 62 | 55 | 55 | | | | | | |
| m50 x 1.5 | 68 | 61 | 61 | | | 11.1 | 8.5 | 62 | K6 |
| | | | | | | 12.1 | | 80 | K7 |
| | | | | | | 12.7 | | 95 | K8 |
| | | | | | | | | 130 | K9 |

©If need above m50~ dimension, welcome to contact ChaNa and order.