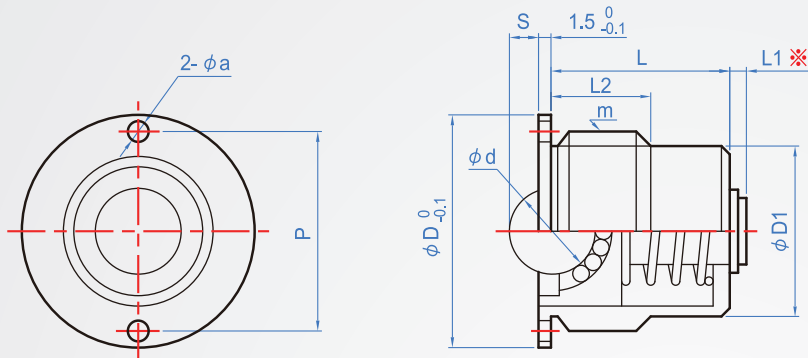


Spring function

BR837 Threaded bolt

Main part	Distance ring	Ball	Cover	Spring	Retaining Ring
SUS304	SUS304	SUS440 HRC55~	SUS304	SUS631JI	SUS304



When the ball beat down by force L1 will relatively lower than pressure value again ; Therefore, the bottom of the floating design at least L1+S.



How to order

BR837 - m16x1.5
 TYPE m x Pitch

1

Unit : mm

Fine thread m x Pitch	D	D1	L	L1	L2	S	a	d	P	Load (N)		Exclusive spanner
										min.	max.	
m16 x 1.5	19	13.5	14	1.5	9	1.5	2	5.56	15	23	30	BR864-10
m20 x 1.5	24	16.5	17	2	10	2.5	2	8.73	18.5	24	38	BR864-12
m24 x 1.5	28	20.5	21.5	2	12	3.5	2.5	10.32	23	24	55	BR864-16

When locking must use special spanner. (Please refer to BR864)

kgf=N×0.101972