

Hex head screw type

BR873

PEEK ball

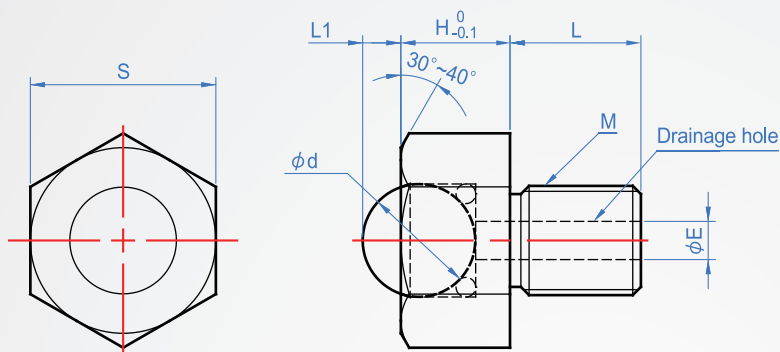
Main part

Main ball

Auxiliary ball

Resin
(POM)

PEEK

SUS440C
HRC55~

How to order

BR873 - M5
 | |
 TYPE M



Unit : mm

| M Coarse thread | L | L1 | H | d | S | E | Load N |
|--------------------|---|-----|---|------|----|-----|--------|
| M5 | 6 | 1.5 | 5 | 4.76 | 8 | 1.5 | 2 |
| M6 | 8 | 2 | 6 | 6.35 | 10 | 2.5 | 5 |

kgf=N×0.101972