

Flange
LM236
Lengthen

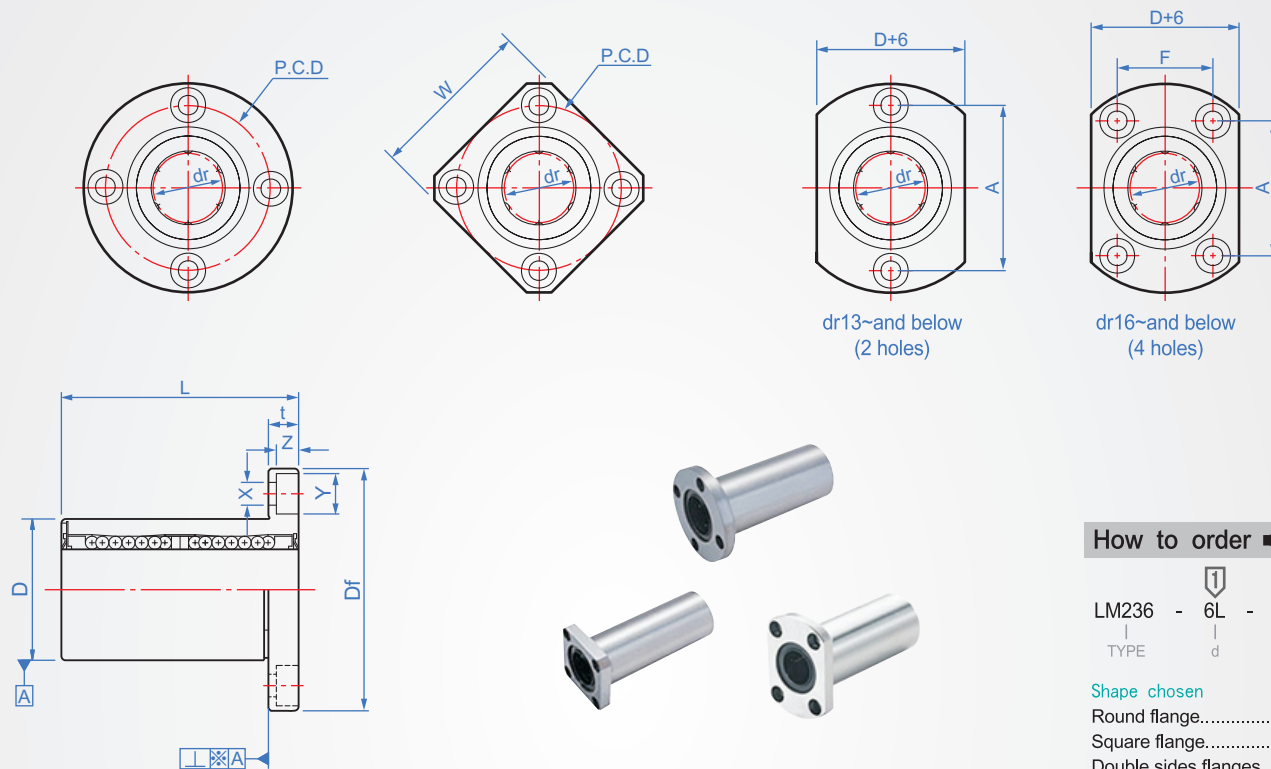
Main part	Steel ball	Holder	Operating temperature	Accessory
SUJ2 HRC58~	SUJ2	Resin	-20~80°C	2-sides dust cover

※Main body electroless nickel is good for antirust.

F : Round flange

K : Square flange

H : Double sides flanges



How to order

LM236 - 6L -
 TYPE d

Shape chosen
 Round flange..... F
 Square flange..... K
 Double sides flanges... H

dr	Tolerance value	Main size		Flange parts										Eccentric max.	Straight angle	Rated load(kgf)		Weight(g)		
		D	Tolerance value	L	A	Df	F	P.C.D	t	W	X	Y	Z			C(N)	Co(N)	Round flange	Square flange	Double sides flanges
6L	+0 -0.01	12	+0	35	20	28	20	5	22	3.5	6	3.1	0.015	0.015	320	520	31	25	28	
8L		15	-0.013	45	24	32									24	25	430	780	51	43
10L		19	+0 -0.016	55	29	40	—	29	30	580	1100	98			78	90				
12L		21		57	32	42	32	32	650	1200	110	90			102					
13L		23		61	33	43	33	34	810	1570	130	108			123					
16L		28		70	31	48	22	38	37	1230	2350	190			165	182				
20L	+0 -0.012	32	+0 -0.019	80	36	54	24	43	8	42	5.5	9	5.1	0.020	0.020	1400	2750	260	225	247
25L		40		112	40	62	32	51								50	1560	3140	540	500
30L		45		123	49	74	35	60	10	58	6.6	11	6.1			2490	5490	680	590	645

※Suggest using g6 tolerance guides.

1N≒0.12kgf