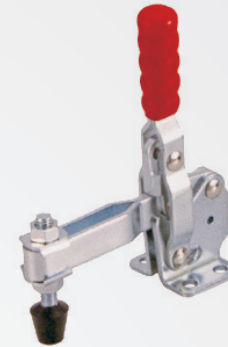
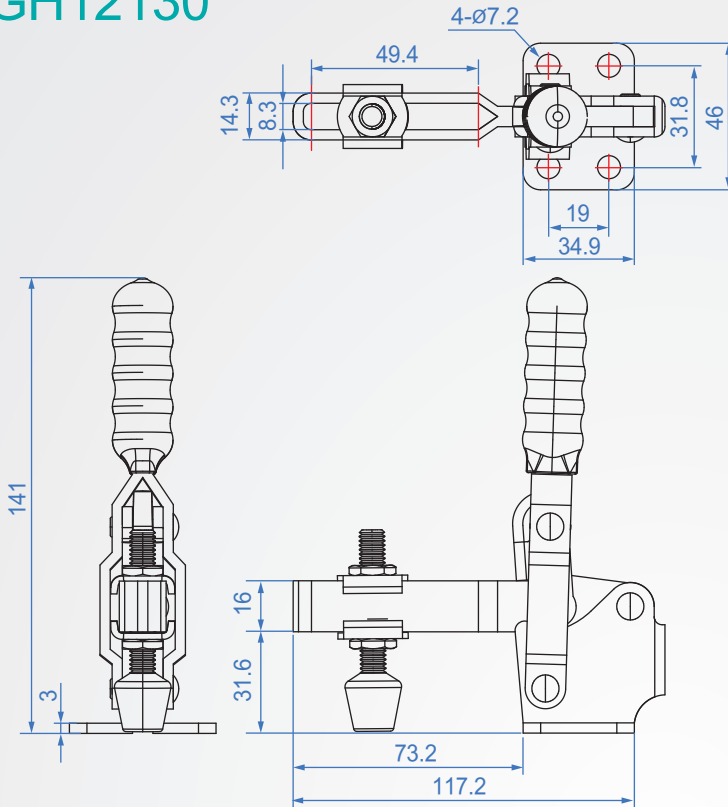


GH12130



GH12130

Material : SS400 Finish : Zinc plated

GH12130-SS

Material : SUS304

unit : mm

Code No.	Clamping pressure (kg)	weight (g)	Handle movement	Chuck movement	Front end fitting
GH12130	227	355	56°	100°	NFC-56212
GH12130-SS	227	355	56°	100°	—

1N≒0.102kgf