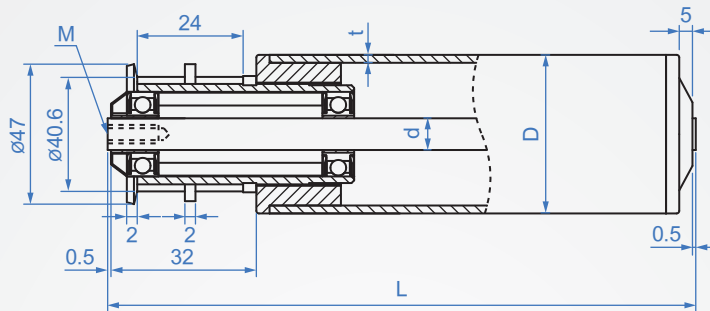
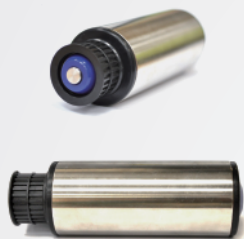


Belt roller

RD880 T5-26 tooth wheel

Code	Roller	Sprocket	Bushing	Bearing	Axis
ZN	Steel pipe (galvanized)	ABS	Nylon 6	SUJ2	Steel
CS	Steel pipe (outer white iron)				SUS
SUS	White iron tube			SUS	SUS

The material of the (sprocket) (bearing) in the above table can be changed according to customer needs, please contact the GheNa business.



How to order

RD880 - 50 - 12 - 200 -

TYPE No. d L

Choose roller material

Steel pipe (galvanized).....

Steel pipe (outer white iron).....

White iron tube.....

No.	D	t	d	L	Pulley		M
					Tooth profile	Row	
50	50.8	1.5	12	100~1200	T5-26	2B (Double tooth row)	M8 - 20
*57	57.2		14				
60	60.3	2					

*The white iron pipe does not have a size of 57.