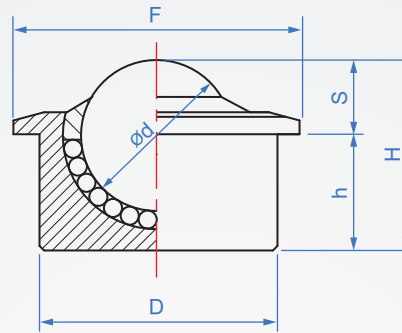


Flange  
**SP830-A**  
Buried

Ontology	Surface treatment	Main bead
S45C	chrome	SUJ2

※All stainless steel SUS304 can be customized.



How to order

1  
SP830-A - 12  
TYPE No.



unit:mm

No.	d	D	F	S	H	h	Basic load (kg)	Allowable load (kg)	Weight(g)
8	8	15	20	4.3	11.1	6.8	8	15	15
12	12	18	23	7.3	15.5	8.2	25	30	30
15	15.9	24	31	10	21	11	40	50	60
22	22.2	36	45	9.8	31	21.2	140	160	185
25	25.4	38	45	14	31	17	180	200	190
30	30.1	45	55	13.8	36.5	22.7	250	300	380
45	45	62	75	19	54	35	450	500	1100