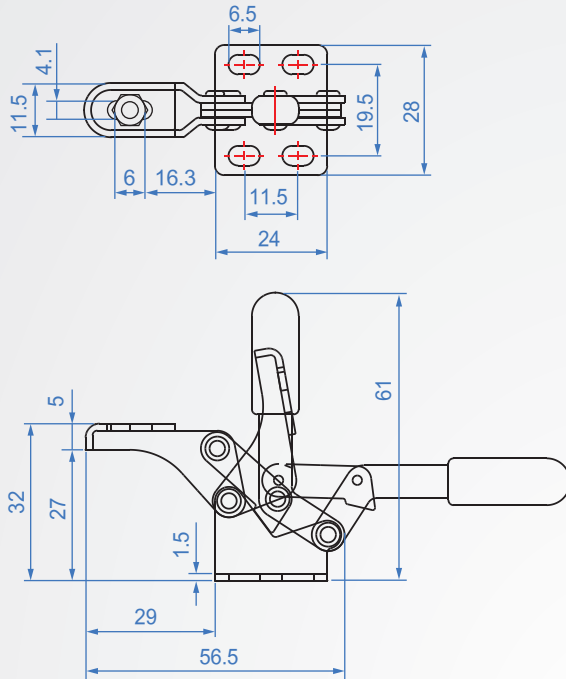


GH13009



GH13009

Material : SS400 Finish : Chrome plated

unit : mm

Code No.	Clamping force(kg)	weight(g)	Hadle moving	Chuck moving	Front-end accessories
GH13009	30	47	88°	80°	FC-044207(Rubber)