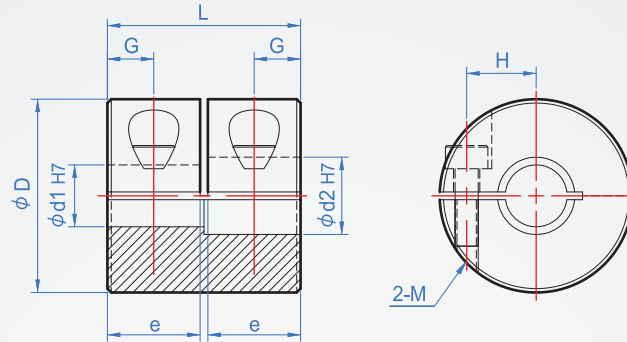


Steel coupling

CH442 Clamp type



Main part	Hex socket head cap screws
	A6061 (Clear anodizing)
	SUS304
SCM435 (Black oxide)	

How to order

CH442 - 16 - 5x6 -

TYPE D d1xd2

Material chosen

A6061..... blank

SUS304..... SUS

D	d1 \ d2		Material	L	G		e	H	M	Torque (N · m)	Max. torque (N · m)	Max. rotation (rpm/min)	Moment of inertia (kg · m ²)		Weight	
	min.	max.			AL	SUS							AL	SUS	AL	SUS
	16	5			~ 6	AL SUS							16	3.5	3.75	7.5
20	6	~ 8	20	4.5	4.75		9.5	6.5	M3	0.5	1	7600	8.7X10 ⁻⁷	2.4X10 ⁻⁶	12	41
25	6	~ 10	25	6	6		12	9	M4	1	2	6100	2.7X10 ⁻⁶	7.3X10 ⁻⁵	30	85
32	8	~ 14	32	7.5	7.5		15.5	11		2	4	4800	7.1X10 ⁻⁶	2.5X10 ⁻⁵	71	160
40	14	~ 18	40	9.5	9.5		19.5	14	M5	4	8	4000	1.5X10 ⁻⁵	4.3X10 ⁻⁵	120	190

Unit : mm