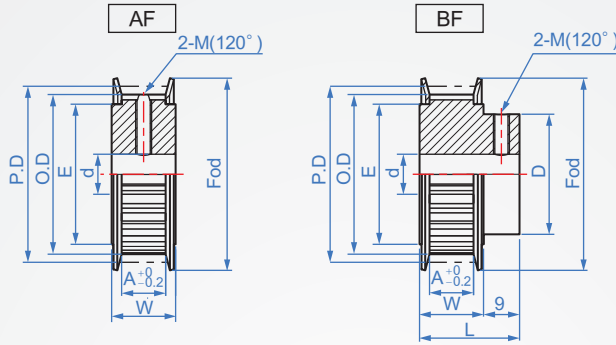
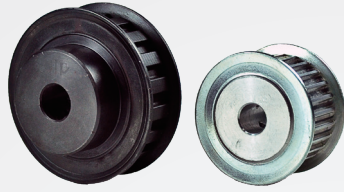
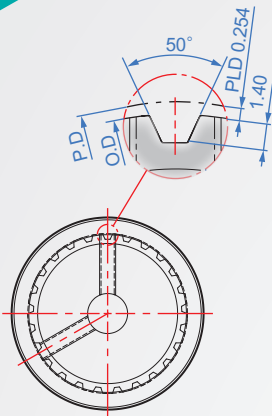


Pitch : 5.08mm

XL

Enlarged view of detail A



Belt width	019 (4.8mm)	025 (6.4mm)	031 (7.9mm)	037 (9.5mm)	050 (12.7mm)	075 (19.1mm)
Common size	A=6 W=10 L=19	A=7.5 W=12.5 L=21.5	A=9 W=14 L=23	A=11 W=16 L=25	A=14 W=19 L=28	A=21 W=26 L=35

How to order

1 2 3 4

15 - XL-025 - AF - H4 -

Number of teeth TYPE width Shape Hole shape

Choose surface treatment

AS.....Clear anode
AB.....Black anode
AN.....Electroless nickel
AK.....Hardened anode

BF shape can specify changes
Example: original D path 17, change 12.....D12

Material : Aluminum A6061+ anodized.
Please contact us if you need iron material.

1	2	3	4	Unit : mm																					
Number of teeth	TYPE width	Shape	Hole shape	Aperture d Processing min.	P.D	O.D	Number of teeth	D	E	Fod															
10	XL-019	AF	H Round hole 	3~	16.17	15.66	10	10	12	18															
11					17.79	17.28	11		14.5	22.6															
12					19.40	18.9	12		15	25															
13				XL-025	AF	H Round hole 	4~	21.02	20.51	13	15	17	27												
14								22.64	22.13	14		18	28												
15								24.26	23.75	15															
16							XL-031	AF	H Round hole 	5~	25.87	25.36	16	17	20	32									
17											27.49	26.98	17												
18											29.11	28.6	18		21	24	35								
19										XL-037	BF	H Round hole 	6~	30.72	30.22	19	24	25	40						
20														32.34	31.83	20		28							
21														33.96	33.45	21									
22													XL-050	BF	Round hole + tapping P (120°) PV (90°) 	7~	35.57	35.07	22	26	30	45			
23																	37.19	36.68	23						
24																	38.81	38.3	24						
25																XL-075	BF	Keyway + Tapping N (120°) NV (90°) 	8~	40.43	39.92	25	30	34	47
26																				42.04	41.53	26			
27																				43.66	43.15	27		35	38
28																			45.28	44.77	28	40	55		
29	46.89	46.39	29																						
30	XL-075	BF	Keyway + Tapping N (120°) NV (90°) 																9~	48.51	48	30	40	44	62
31																				50.13	49.62	31			
32				51.74	51.24	32														45	45	65			
33				53.36	52.85	33																			
34				54.98	54.47	34																			
35				XL-075	BF	Keyway + Tapping N (120°) NV (90°) 	10~	56.6	56.09										35	40	52.5	67.5			
36								58.21	57.7										36						
37								59.83	59.32										37		59	73			
38							61.45	60.94	38																
39							63.06	62.56	39	60	80														
40							64.68	64.17	40																
41							66.3	65.79	41		65	85													
42							67.91	67.41	42																
43							69.53	69.02	43																
44							XL-075	BF	Keyway + Tapping N (120°) NV (90°) 	11~	71.15	70.64	44	65											
45											72.77	72.26	45												
46											74.38	73.87	46												
47										76	75.49	47													
48										77.62	77.11	48													
49	79.23	78.73	49																						
50	80.85	80.84	50																						

Copyright © CHENA INDUSTRIAL CO.,LTD ALL Rights Reserved.