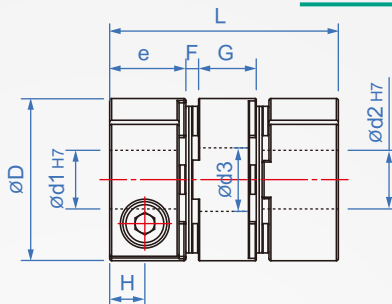
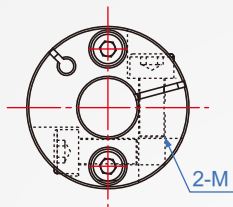


Steel sheet - medium length

GZ411

Clamping



Ontology

High strength aluminum alloy (White anode)

Disc.Pin

stainless steel

Hexagon socket head cap screws

SCM435 (Dye black)

How to order

GZ411 - 21 - 3-8
TYPE D d1xd2

D	Inner hole designation d1-d2		L	e	F	M	G	H	d3	Max. torque (N · m)	Allow eccentricity (mm)	Allowable declination (°)	Allowable axial displacement (mm)	Max. revolutions (rpm/min)	Static torsion spring coefficient (N·m/rad)	Moment of inertia (kg · m ²)	weight g
	min.	max.															
16.6	3	~ 6	23	7.5	2.2	M2.5	3.6	3.3	6.5	0.5	1.0	± 0.18	9000	480	4.22x10 ⁻⁷	12	
21	3	~ 10	24.5	7.2	2.7	M2.5	4.7		10.5	1.0							
28	5	~ 14	32.2	9.5	3.5	M3	6.2	3.85	15	1.5	0.15	1.2	8000	2500	4.68x10 ⁻⁶	45	
34	5	~ 16	35	10.2	3.7	M4	7.2	4.85	16.5	3	0.17	1.5					± 0.25
39	8	~ 19	50	14.9	4.5	M4	11.2	5	19.3	6	0.22	1.5	8000	9500	3.0x10 ⁻⁵	118	
46	8	~ 25	44	13.2	4.6	M5	8.4		25.5	9							0.22
55	10	~ 30	55	16.5	5.2	M5	11.6	6	31	25	0.25	1.5	± 0.25	16500	1.6x10 ⁻⁴	265	

unit : mm