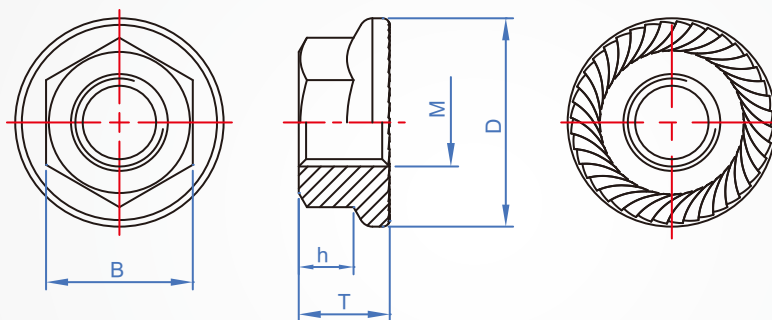


Flange nut
FN770
Embossing



Material	Strength
Steel	ZN
SUS304	—

How to order

FN770 - M3 -
 |
 TYPE | M
 Material chosen
 Steel.....
 SUS304..... SUS

Unit : mm							
M	Pitch	D max.	B	T max.	h max.	W g	
M3	0.5	7.9	5.6	3.6	2	0.8	
M4	0.7	10.5	7	4.4	2.3	1.4	
M5	0.8	11.8	8	4.7	2.8	1.8	
M6	1	14.2	10	5.7	3.1	3.2	
M8	1.25	17.9	13	7.6	4.5	6.8	
M10	1.5	21.8	15	9.6	5.5	10.6	
M12	1.75	26	18	11.6	6.7	19.2	

Copyright © CHENA INDUSTRIAL CO., LTD ALL RIGHTS RESERVED.