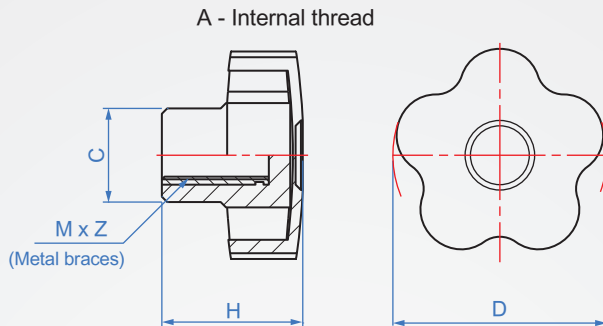


Five-prong nylon knob - female thread

DZ978 - A



Grip

Screw

Black nylon

Galvanized steel

Oil resistance and chemical resistance.

How to order

DZ978 - A - M6
| | |
TYPE Shape M

unit : mm

Shape	M	Pitch	Z Depth	C	D	H	weight (g)
A (Internal thread)	M6	1	12	15	32	23	11.5
	M8	1.25	20	17.5	40	27	17.5
	M10	1.5	24	20	50	32	22.3
	M12	1.75	25	22	63	38	40.4